

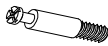

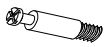




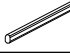











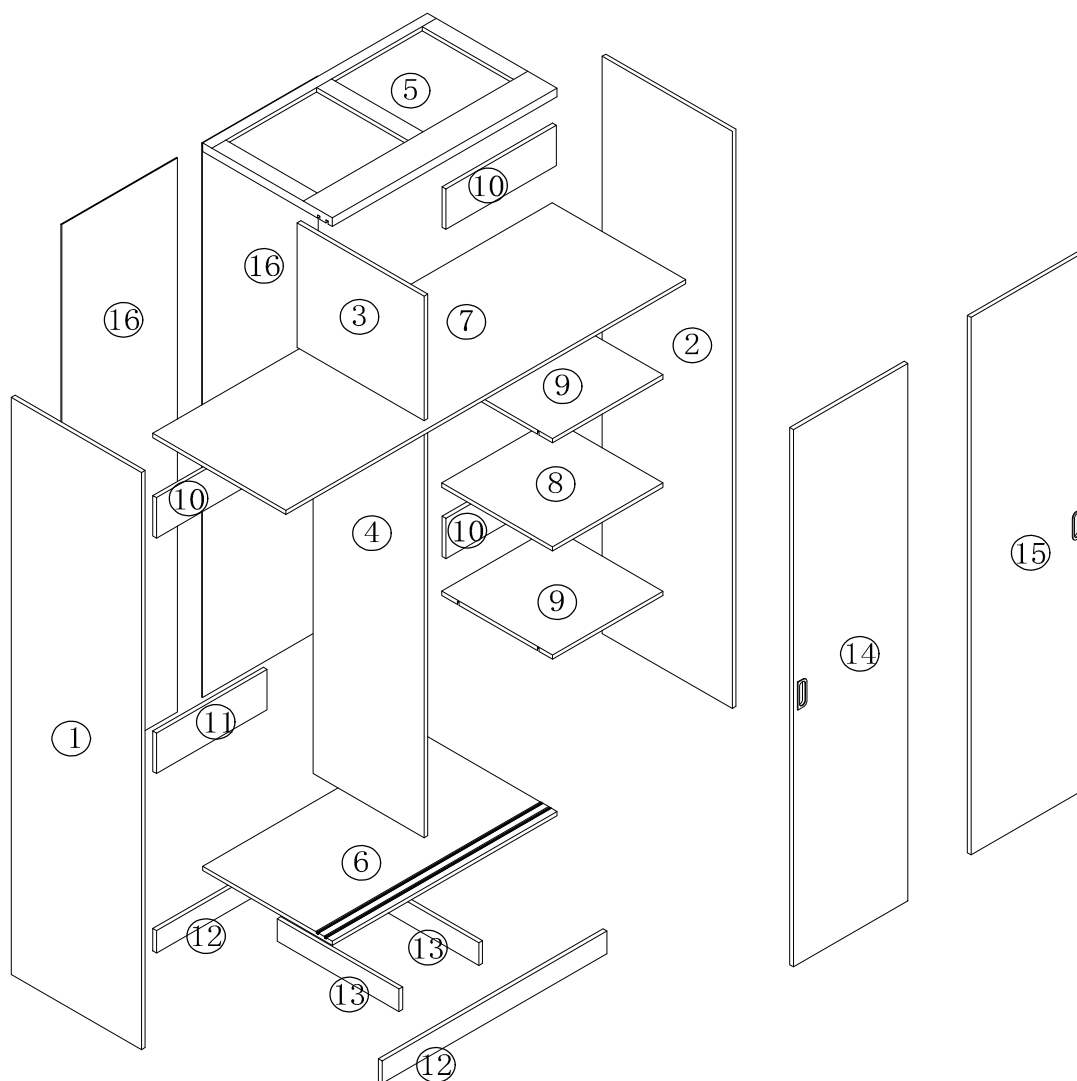


# ASSEMBLY INSTRUCTION

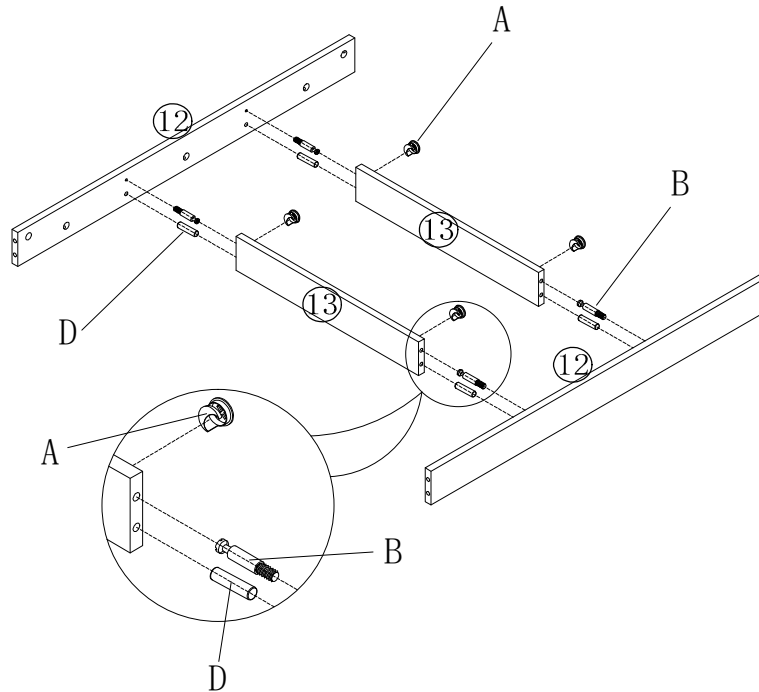
## Promo sliding wardrobe

A		∅15x12	46	PCS	L			4	PCS
B		∅7x35	42	PCS	M		∅4x16	34	PCS
C		∅7x29	4	PCS	N		18MM	64	PCS
D		∅8x30	32	PCS	O		∅14	8	PCS
E			8	PCS	P		570MM	1	PC
F		M6x50	8	PCS	Q			1	PC
G			2	PCS	R		4MM	2	PCS
H		∅3.5x14	4	PCS	S		60*42*18	2	PCS
I			8	PCS	T		∅7.8*38	2	PCS
J		∅19	8	PCS	U		∅4x40	2	PCS
K			4	PCS					



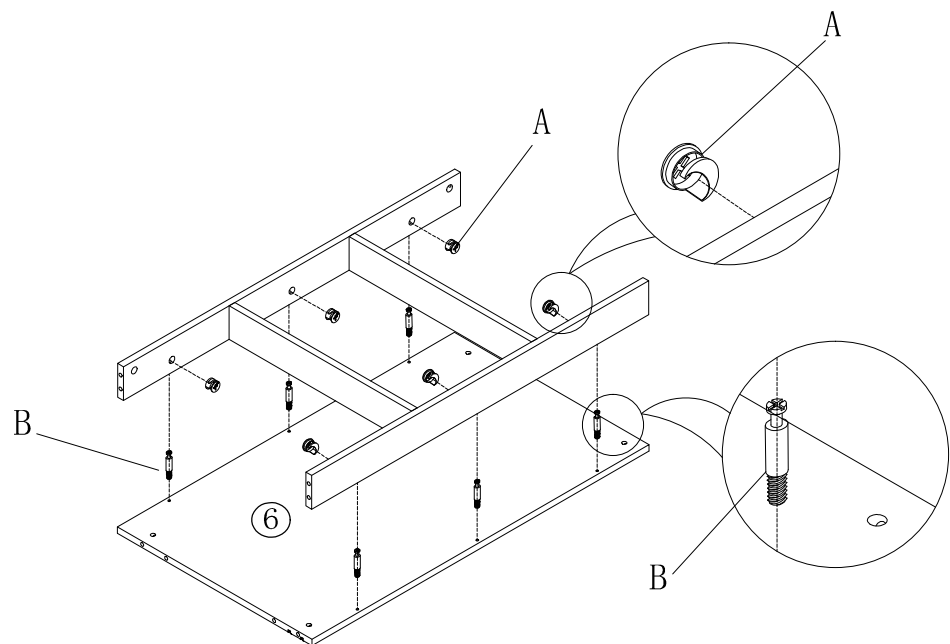
## STEP 1

Ax4  
Bx4  
Dx4



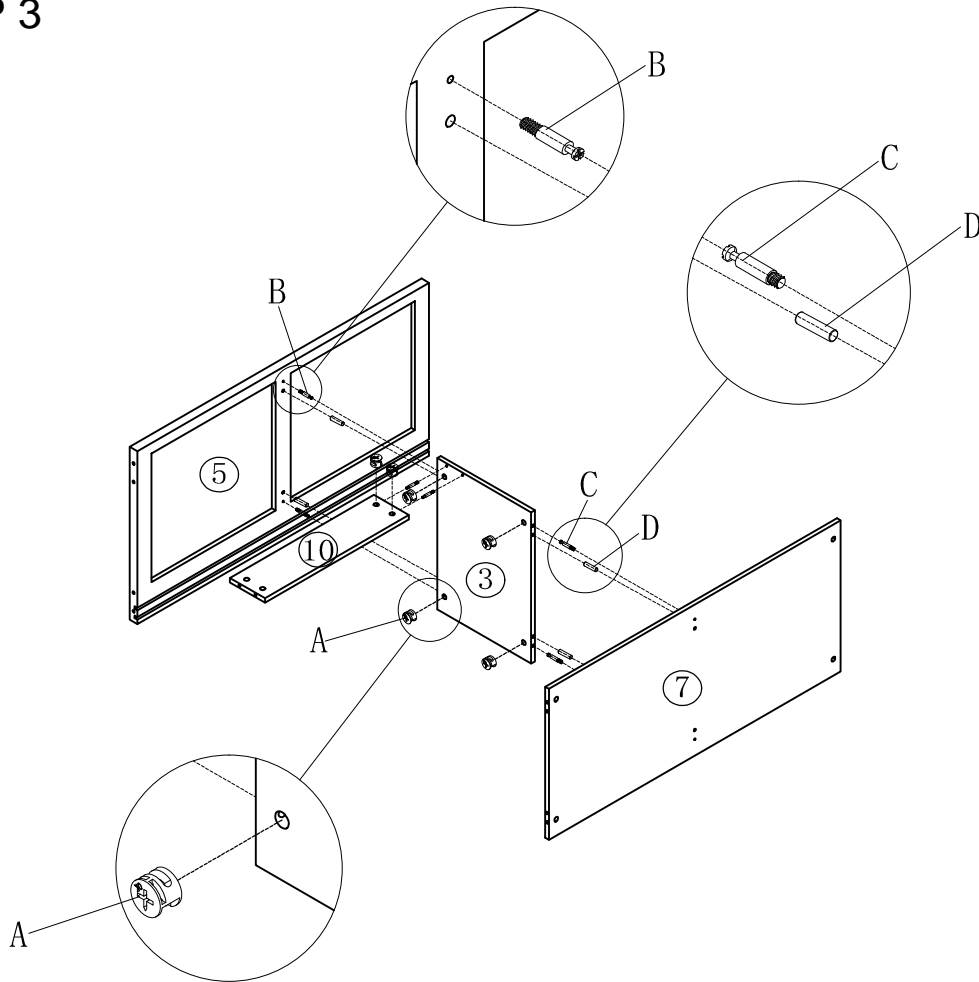
## STEP 2

Ax6  
Bx6



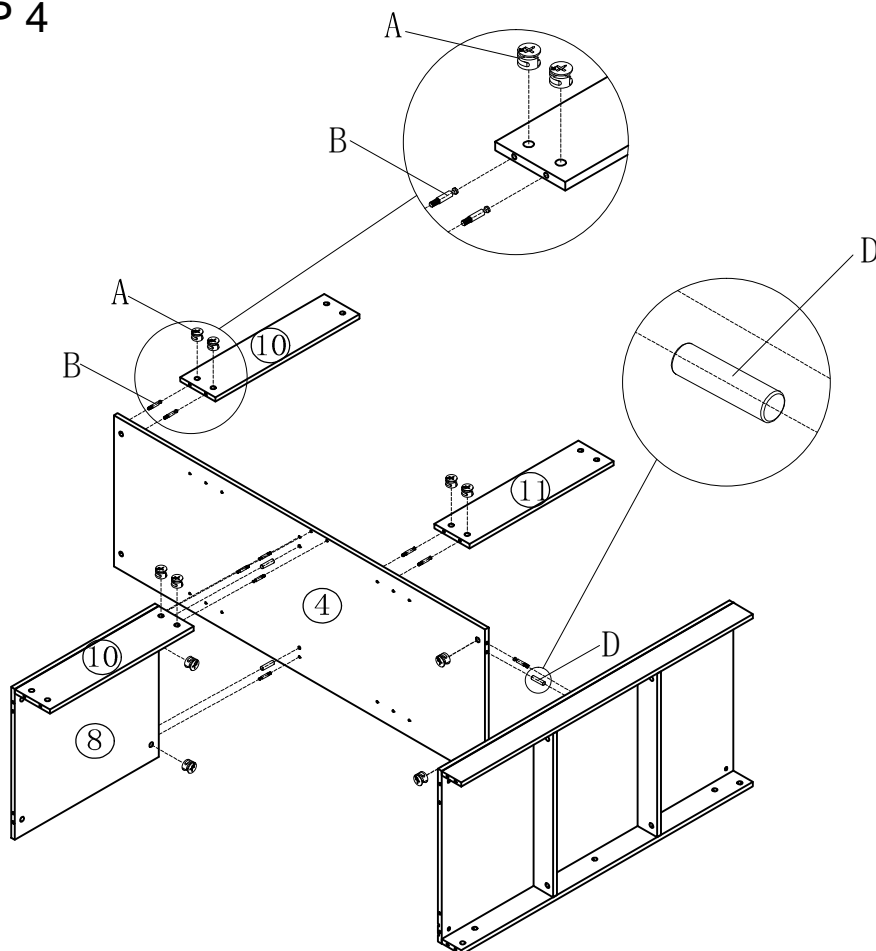
### STEP 3

Ax6  
Bx4  
Cx2  
Dx4



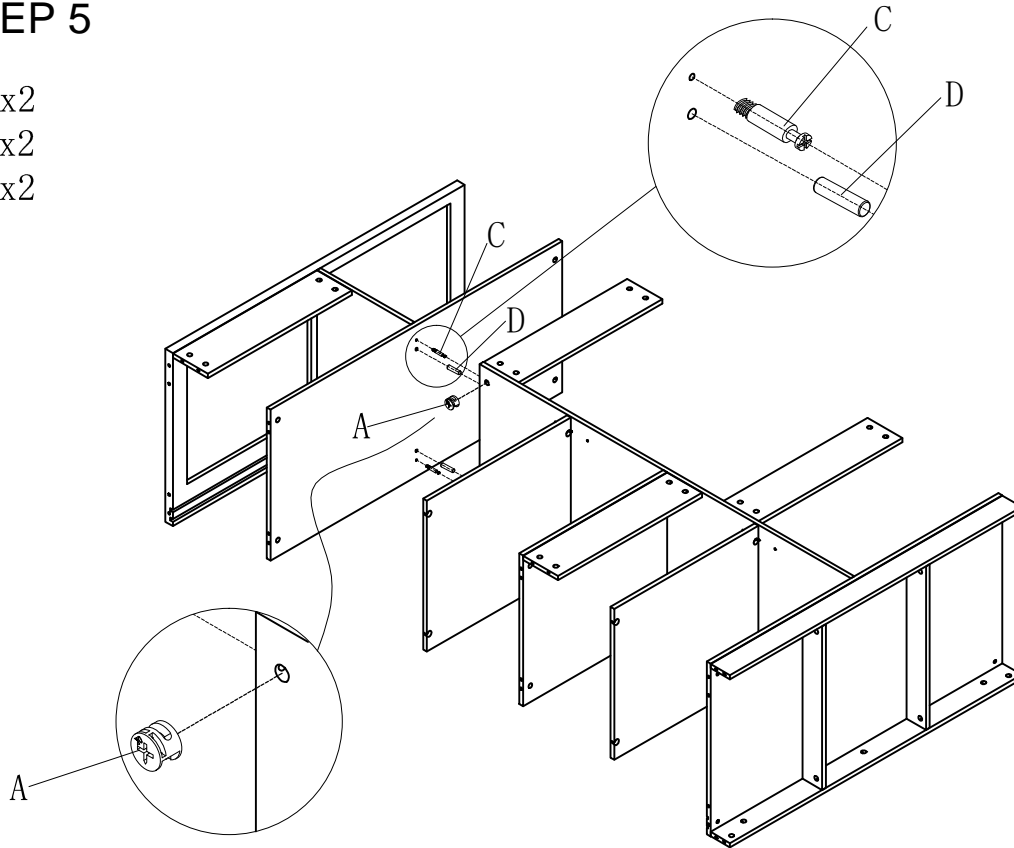
### STEP 4

Ax10  
Bx10  
Dx4



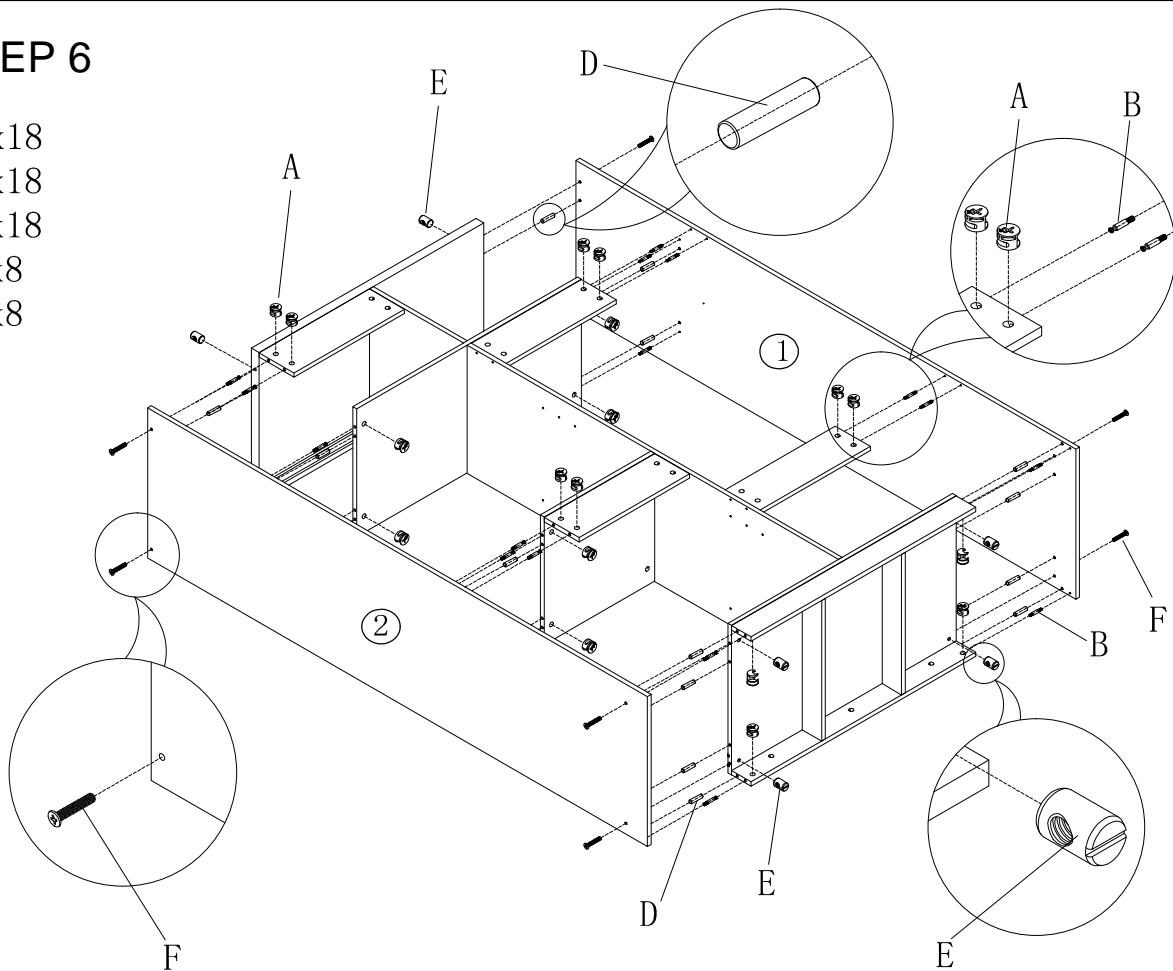
## STEP 5

Ax2  
Cx2  
Dx2



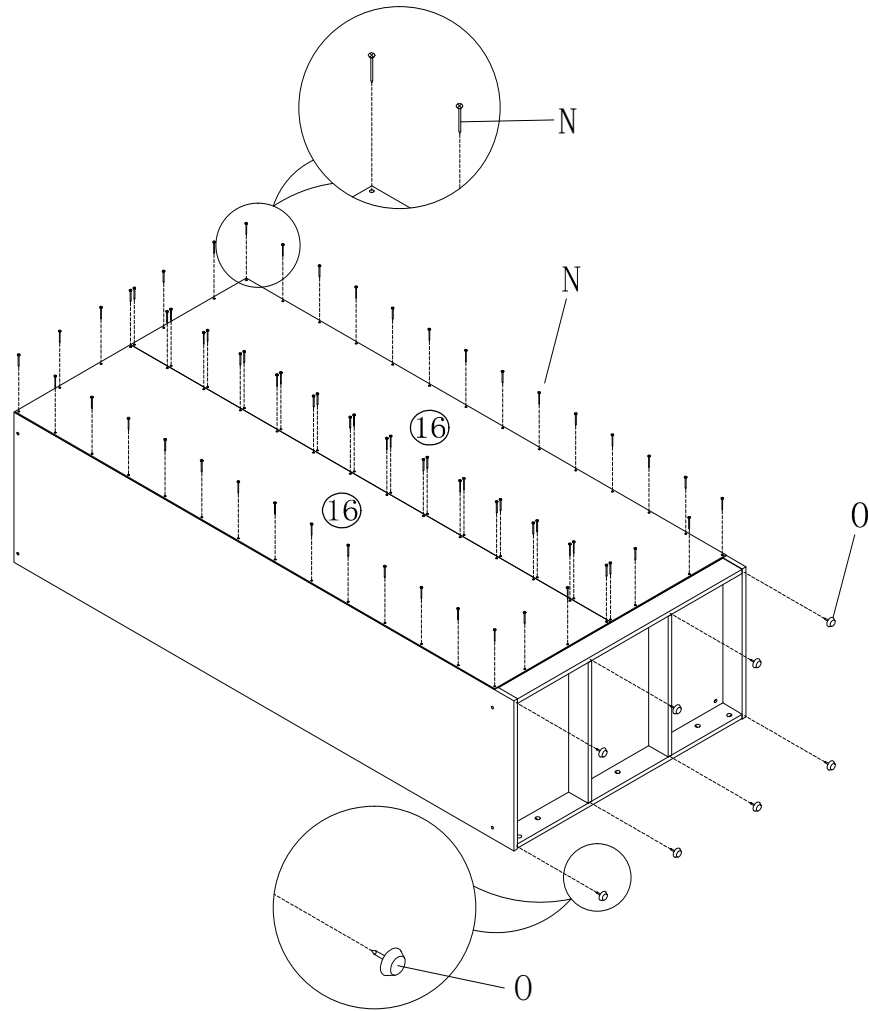
## STEP 6

Ax18  
Bx18  
Dx18  
Ex8  
Fx8



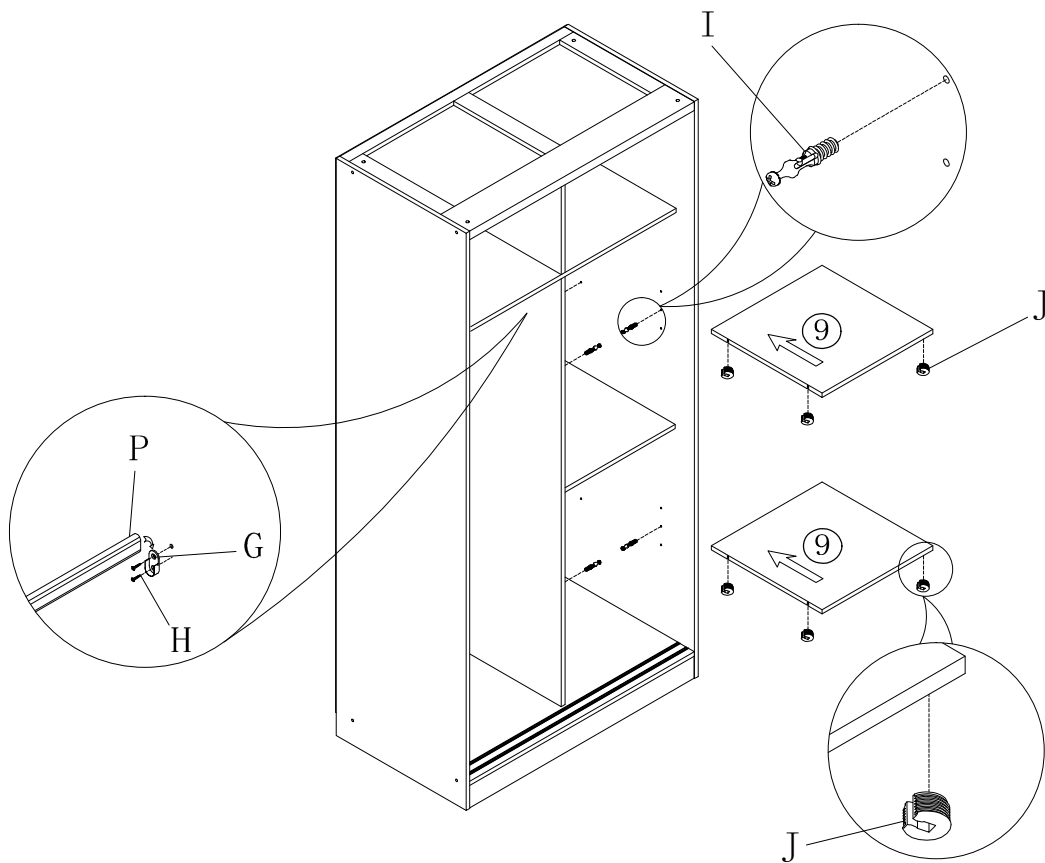
# STEP 7

Nx64  
Ox8



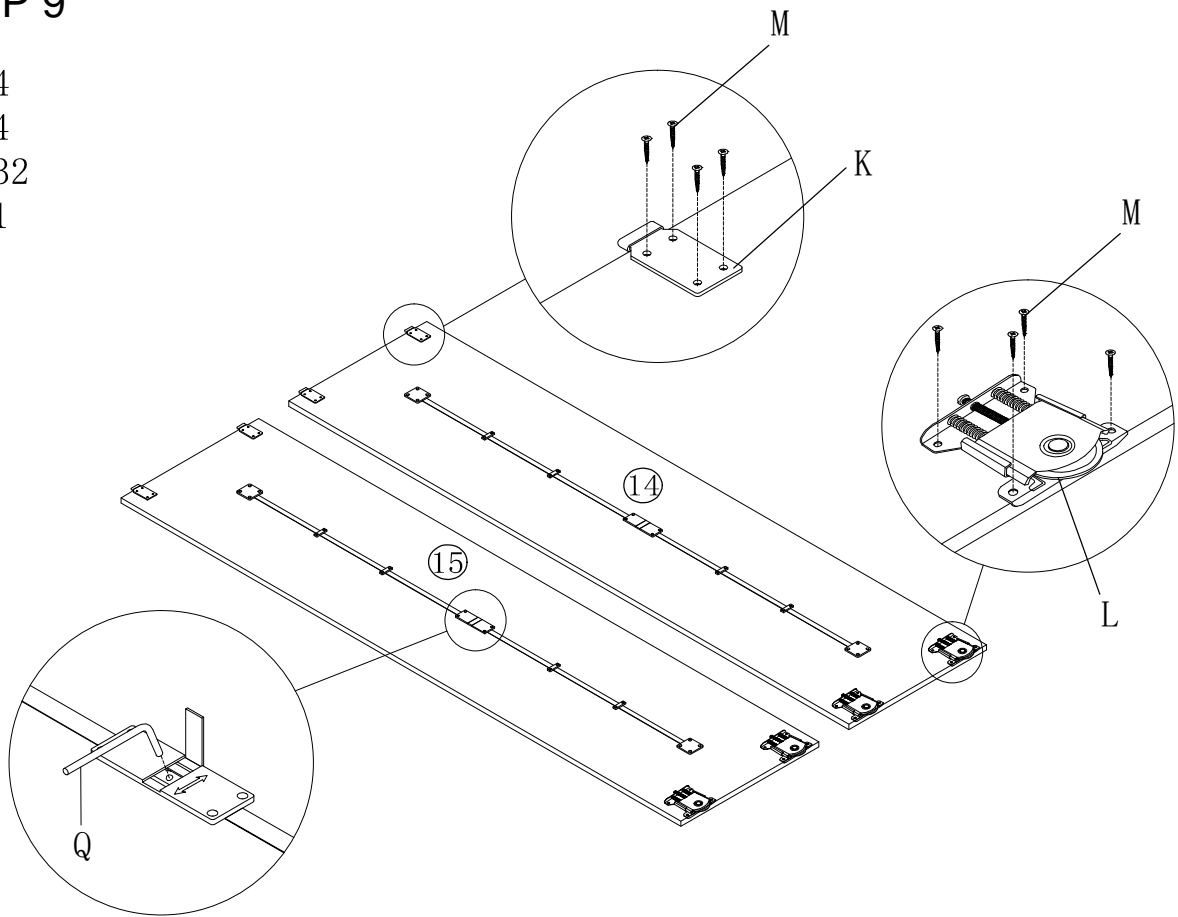
# STEP 8

Gx2  
Hx4  
Ix8  
Jx8  
Px1

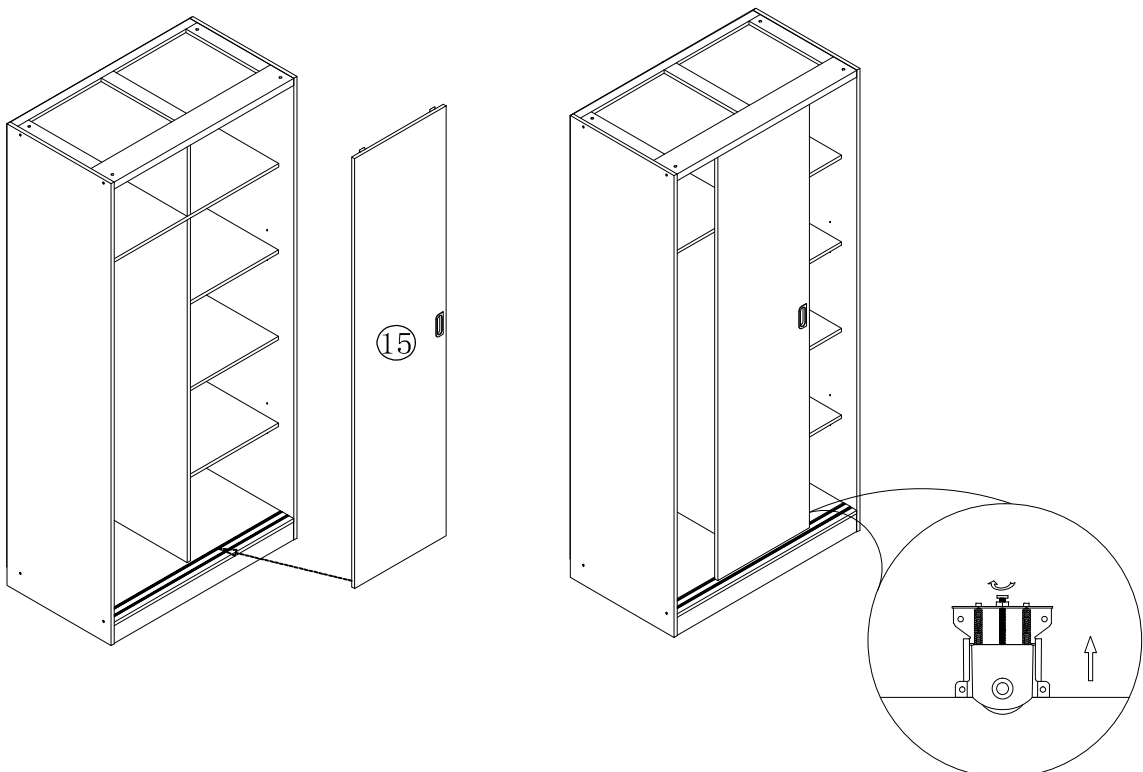


## STEP 9

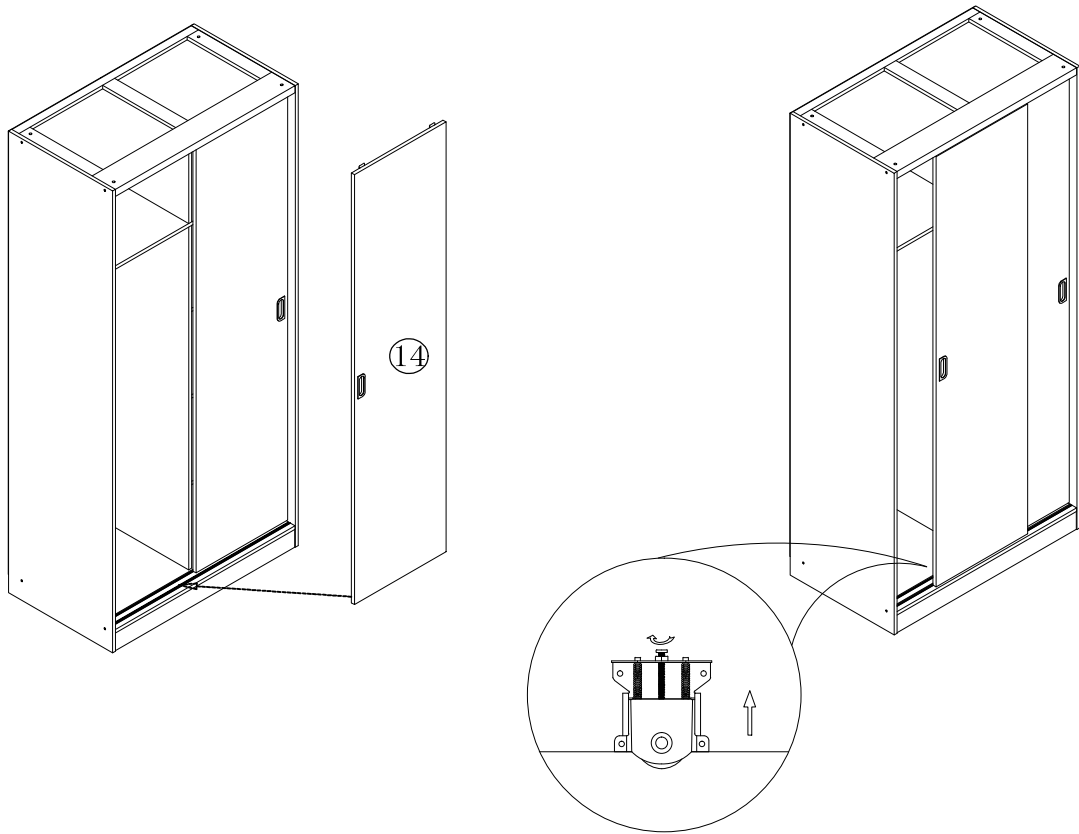
Kx4  
Lx4  
Mx32  
Qx1



## STEP 10



# STEP 11



# STEP 12

- Mx2
- Rx2
- Sx2
- Tx2
- Ux2

