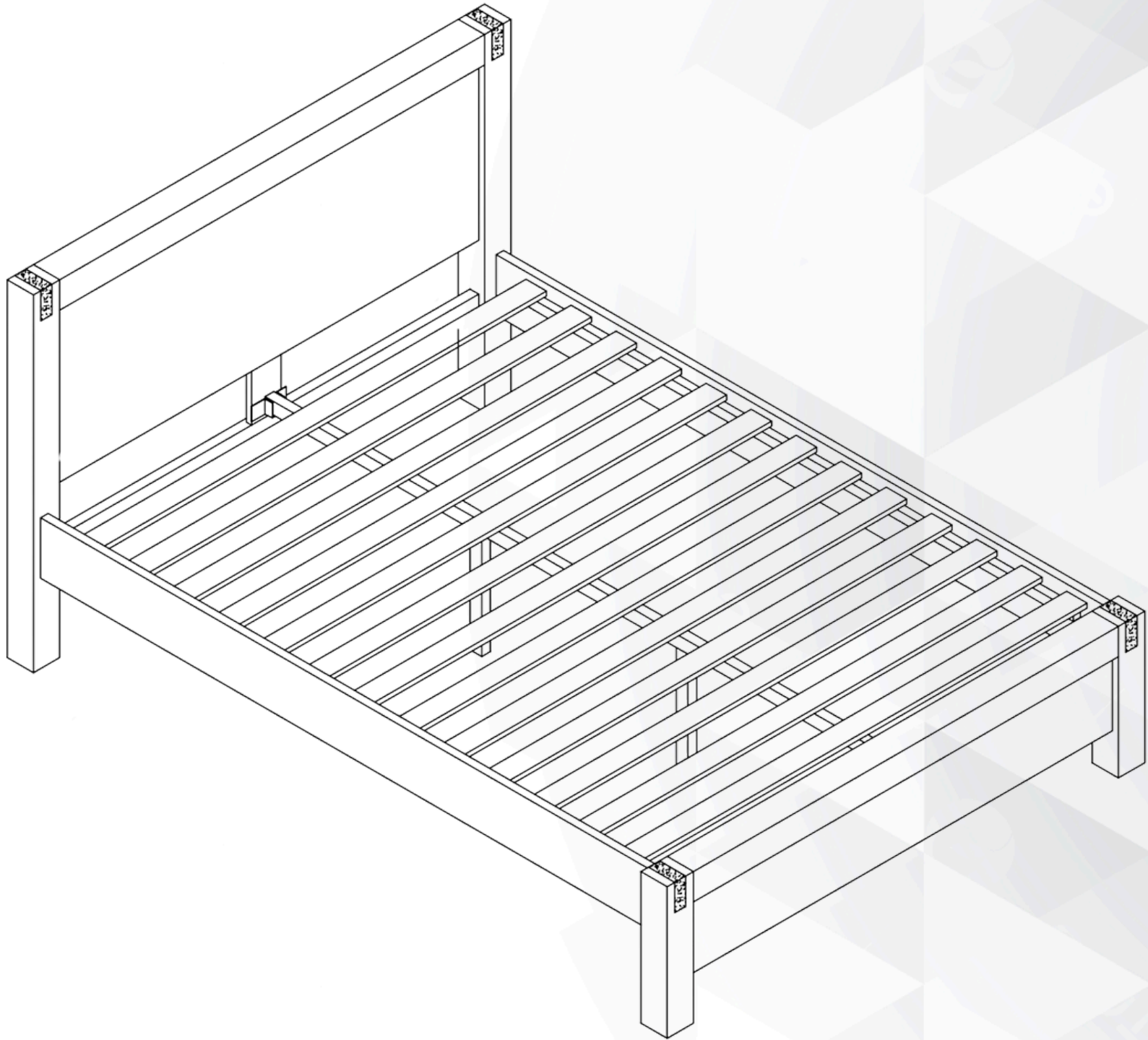


BED

ASSEMBLY INSTRUCTIONS

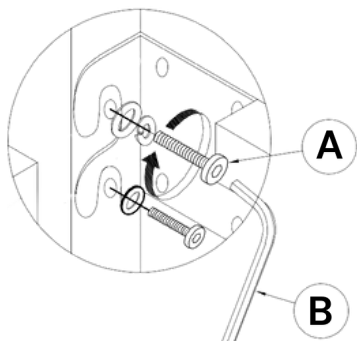


BED

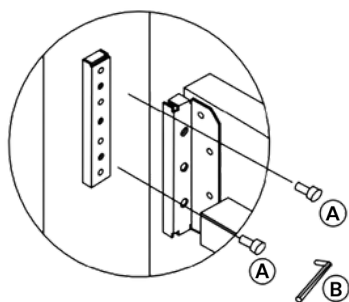
ASSEMBLY INSTRUCTIONS

Parts List

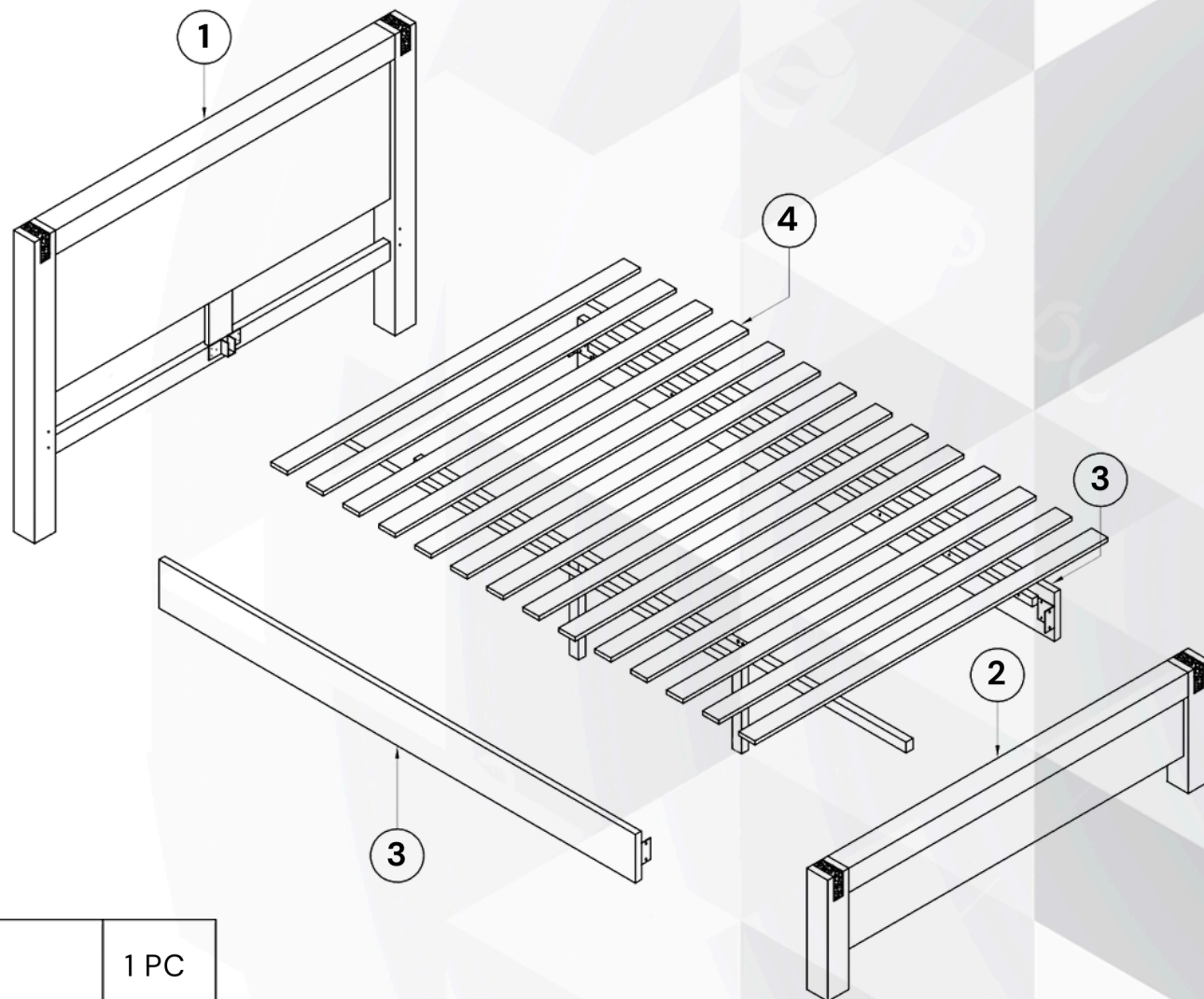
Check which hook the bed comes with:





A: Curve Hook (Page 3)



B: Rectangle Hook (Page 4)

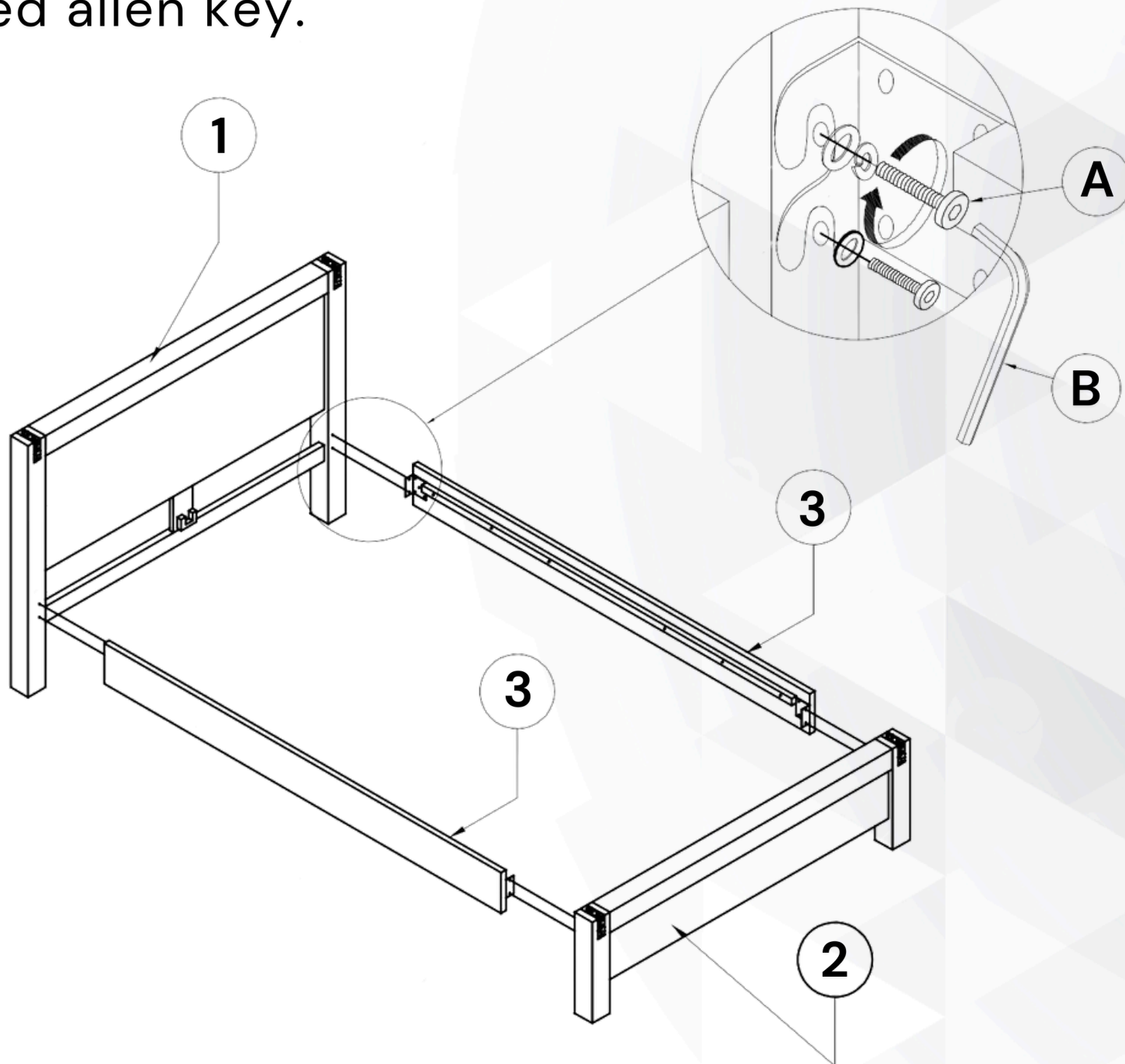


1	Bed Head	1 PC
2	Bed End	1 PC
3	Side Rail	2 PCS
4	Slats	10 PCS
A	Bolt	 8 PCS
B	Allen Key	 1 PC

BED

ASSEMBLY INSTRUCTIONS

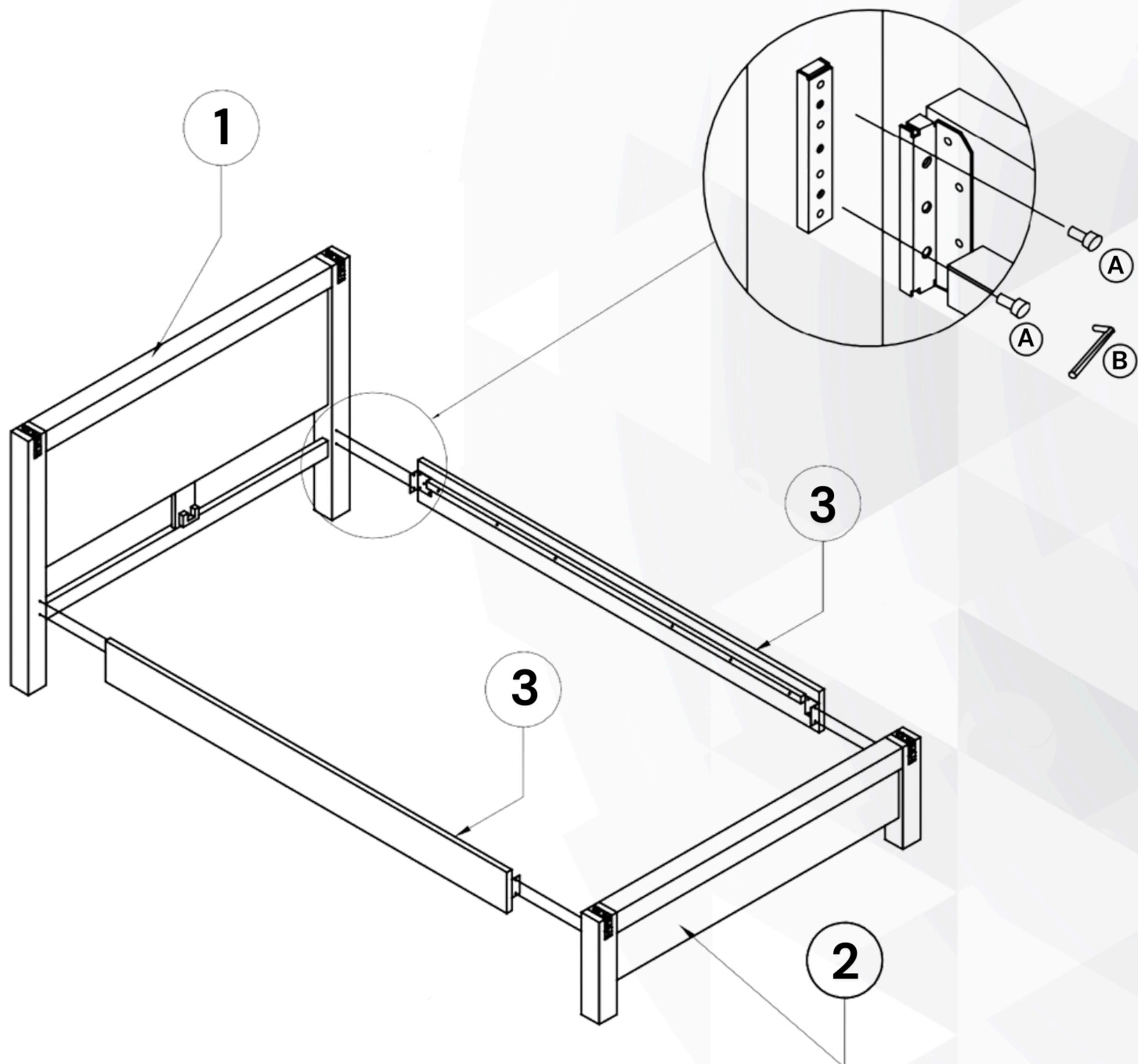
Step 1A (Curve Hook): Put 2x bolts into the grommets of each siderail corner first and then put the hook on. Tighten by turning in a clockwise direction with the supplied allen key.



BED

ASSEMBLY INSTRUCTIONS

Step 1B (Rectangle Hook): Put hook first and then put 2x bolts for each siderail corner on. Tighten by turning in a clockwise direction with the supplied allen key.



BED

ASSEMBLY INSTRUCTIONS

Step 2: Fit each piece of slat wood into the wooden slotted frame on both sides of the siderail and your new bed is ready to use.

