

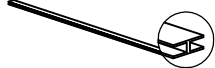
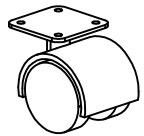
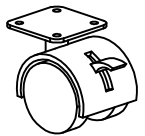

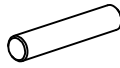
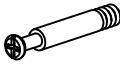

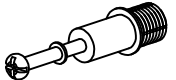

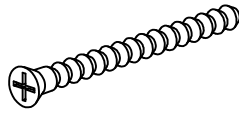





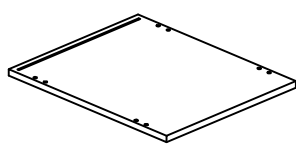
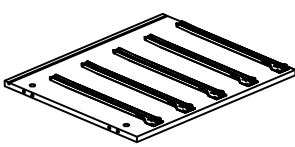
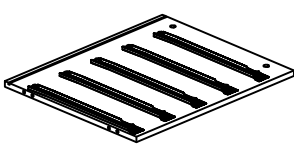
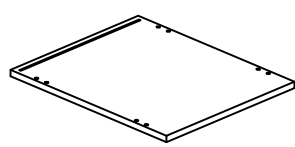
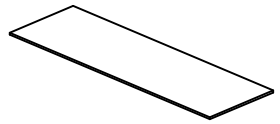
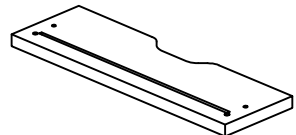
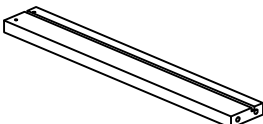
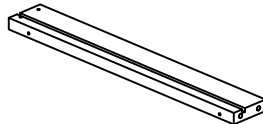
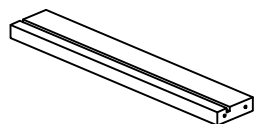
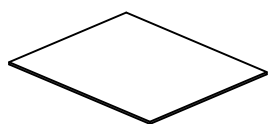
# Assembly Instructions

5 Drawer Pedestal  
500\*400\*680

### Fitting List

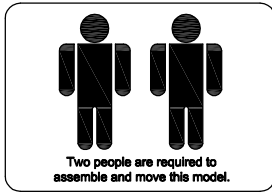
<p><b>A</b></p>  <p>Drawer Rail (Left) 5 Pcs</p>	<p><b>B</b></p>  <p>Drawer Rail (Right) 5 Pcs</p>	<p><b>C</b></p>  <p>Gusset (590) 1 Pc</p>	<p><b>D</b></p>  <p>Wheel 2 Pcs</p>	<p><b>E</b></p>  <p>Locking Wheel 2 Pcs</p>
<p><b>F</b></p>  <p>Small Wood Dowel - 10 Pcs</p>	<p><b>G</b></p>  <p>Large Wood Dowel - 8 Pcs</p>	<p><b>H</b></p>  <p>Small Cam Bolt 10 Pcs</p>	<p><b>I</b></p>  <p>Small Cam Lock 10 Pcs</p>	<p><b>J</b></p>  <p>Large Cam Bolt 4 Pcs</p>
<p><b>K</b></p>  <p>Large Cam Lock 4 Pcs</p>	<p><b>L</b></p>  <p>Screw M7*50 4 Pcs</p>	<p><b>M</b></p>  <p>Screw (30mm) 20 Pcs</p>	<p><b>N</b></p>  <p>Screw (4*16mm) (golden color, for wheel) 16 Pcs</p>	<p><b>O</b></p>  <p>Screw (3*16mm) (silver color, for drawer rail) 20 Pcs</p>

### Parts List

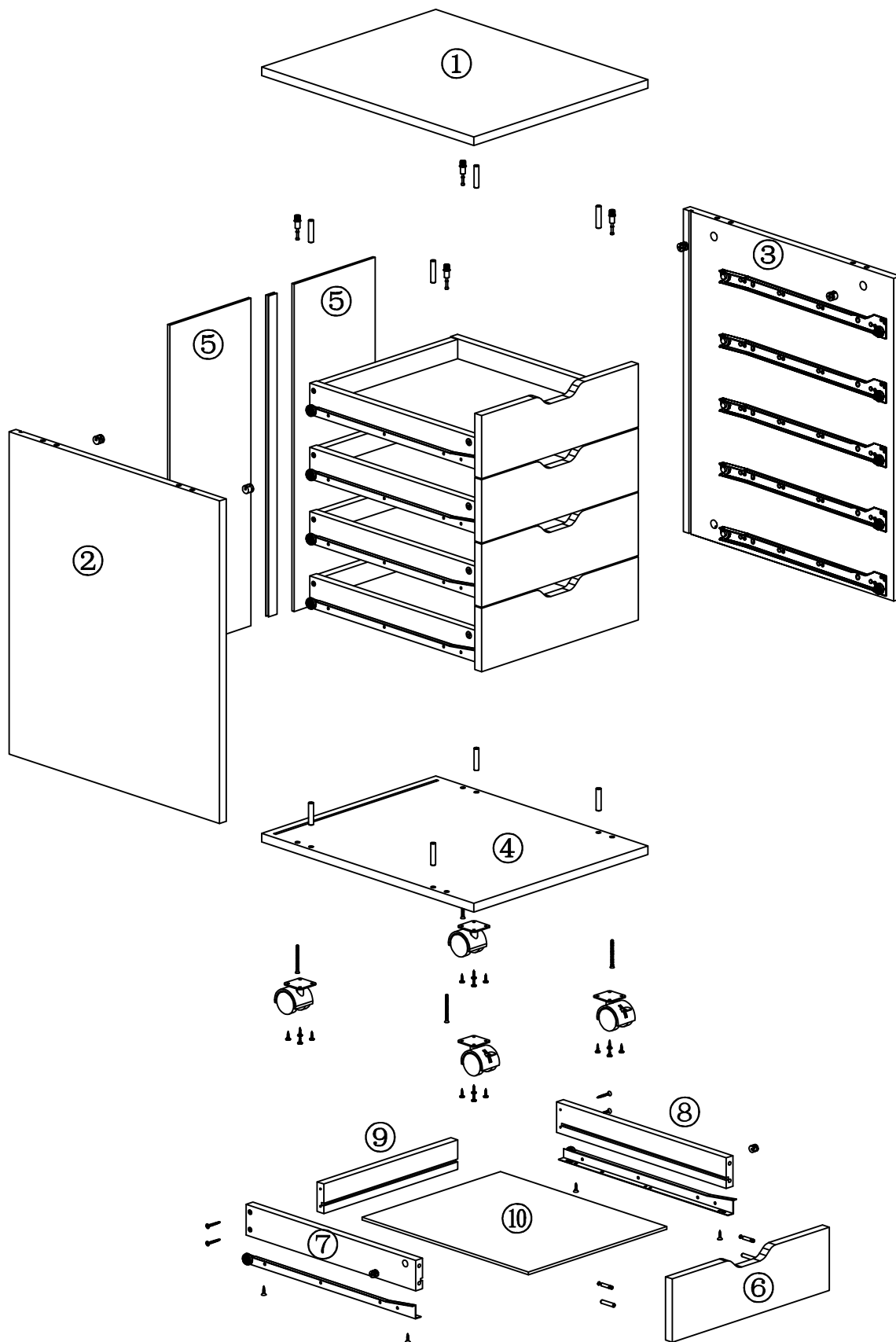
<p>①</p>  <p>Top Panel 1 Pc</p>	<p>②</p>  <p>Left Side Panel 1 Pc</p>	<p>③</p>  <p>Right Side Panel 1 Pc</p>	<p>④</p>  <p>Bottom Panel 1 Pc</p>	<p>⑤</p>  <p>Back Panel 2 Pcs</p>
<p>⑥</p>  <p>Front Panel (Drawer) 5 Pcs</p>	<p>⑦</p>  <p>Left Panel (Drawer) 5 Pcs</p>	<p>⑧</p>  <p>Right Panel (Drawer) 5 Pcs</p>	<p>⑨</p>  <p>Back Panel (Drawer) 5 Pcs</p>	<p>⑩</p>  <p>Bottom Board 5 Pcs</p>

**IMPORTANT NOTE:**

- Place all laminated parts on a clean and smooth surface such as a rug or carpet to avoid the parts from being scratched.
- Check to be sure that you have all parts and hardware.
- Remove all wrapping materials,including staples and packing straps before you start to assemble.
- Don't tighten all screws/bolts until all the pieces are completely assembled.
- Keep all hardware parts out children's reach.
- It is recommended for 2 people to complete this assembled.

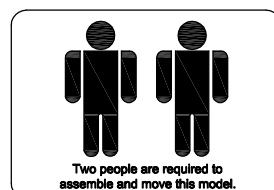


### Overall View

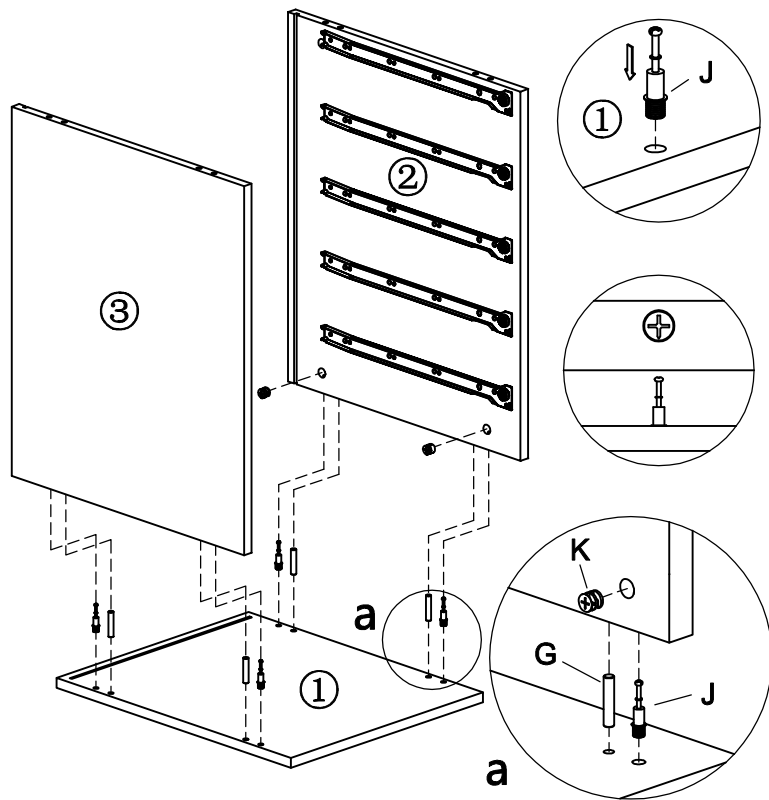


### IMPORTANT NOTE:

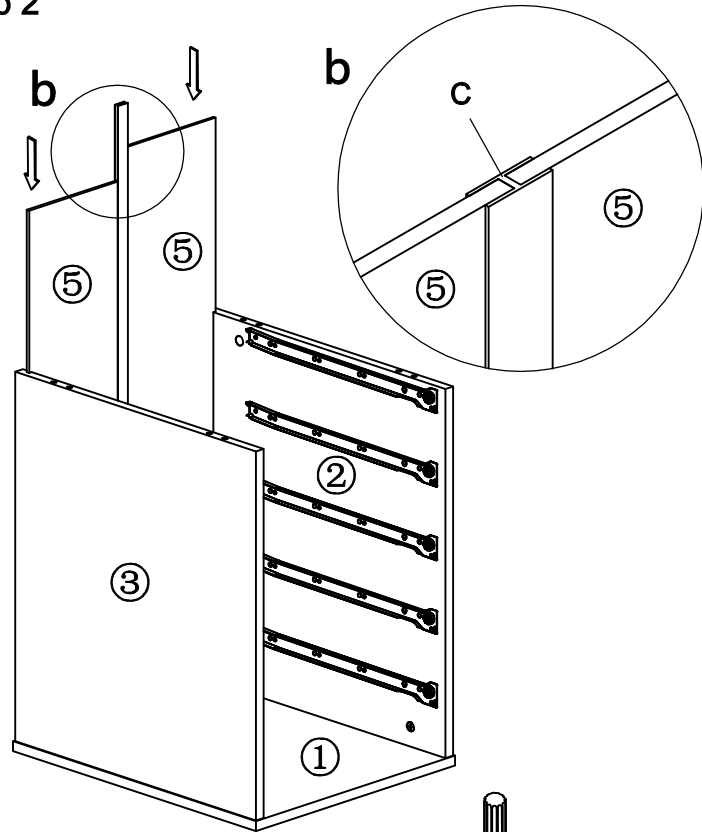
- Place all laminated parts on a clean and smooth surface such as a rug or carpet to avoid the parts from being scratched.
- Check to be sure that you have all parts and hardware.
- Remove all wrapping materials, including staples and packing straps before you start to assemble.
- Don't tighten all screws/bolts until all the pieces are completely assembled.
- Keep all hardware parts out children's reach.
- It is recommended for 2 people to complete this assembled.



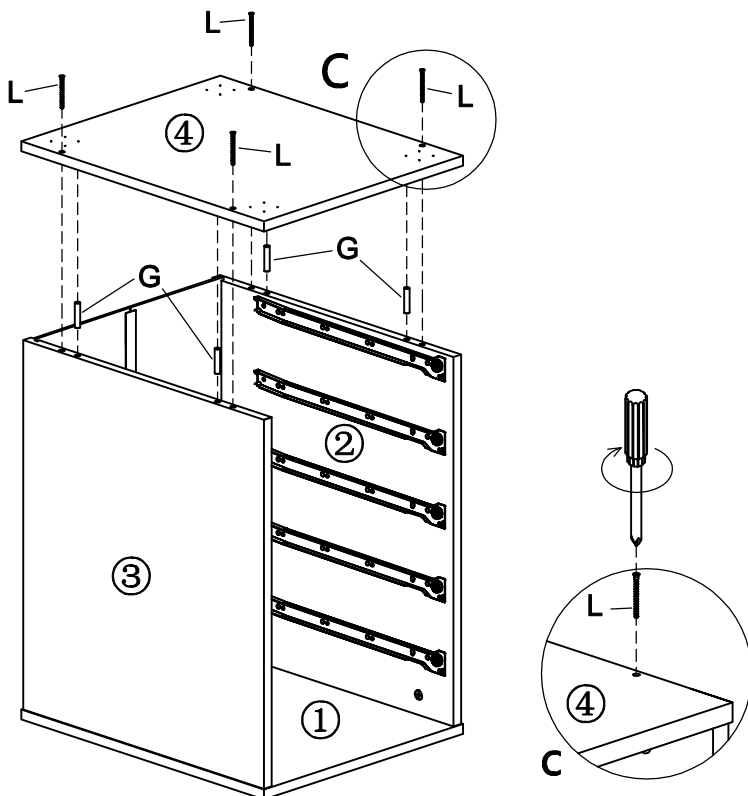
### Step 1



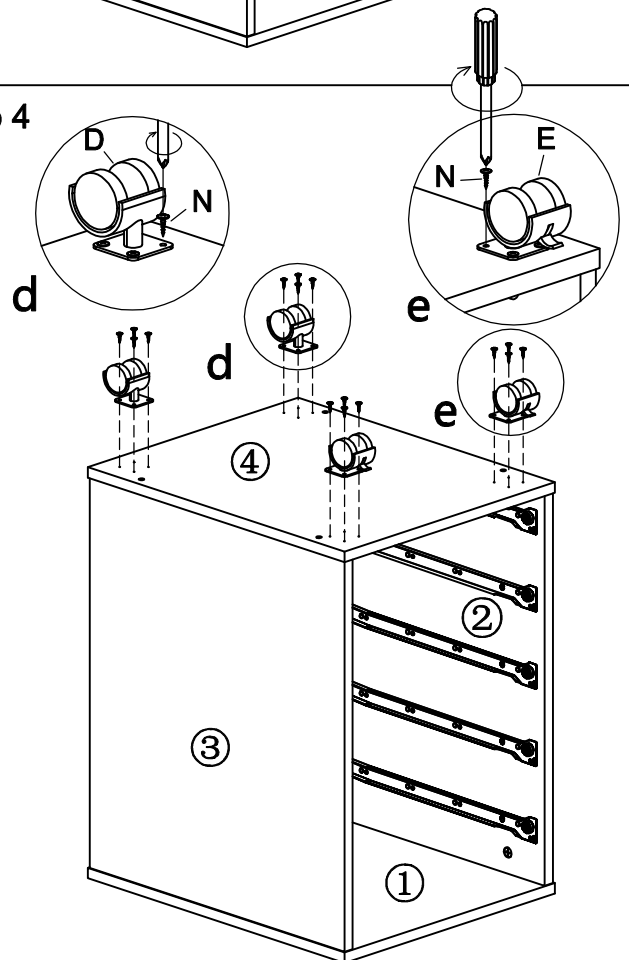
### Step 2



### Step 3

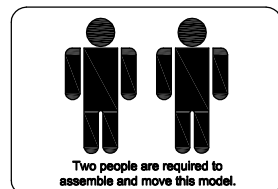


### Step 4

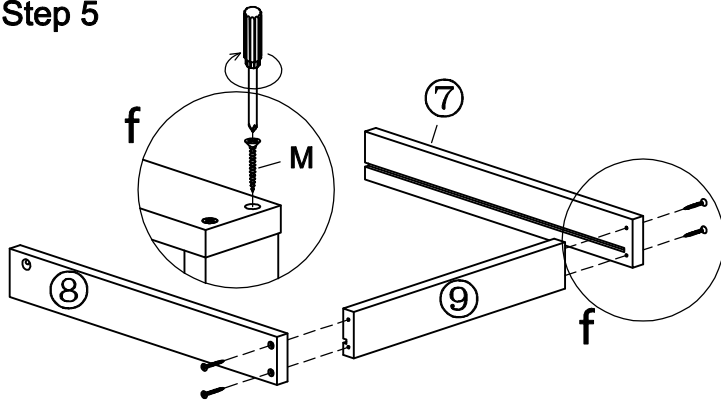


#### IMPORTANT NOTE:

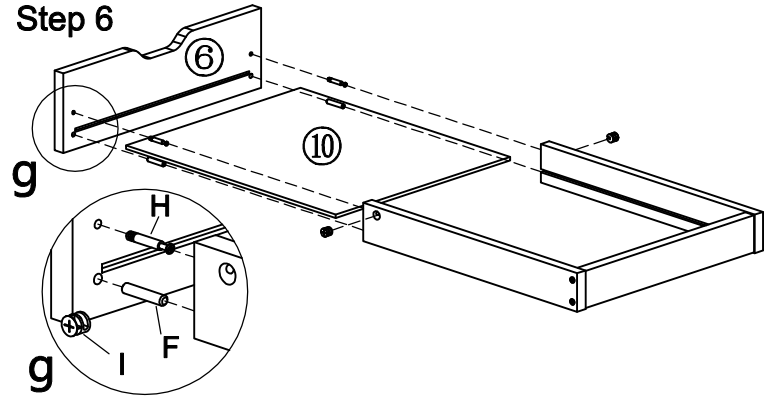
- Place all laminated parts on a clean and smooth surface such as a rug or carpet to avoid the parts from being scratched.
- Check to be sure that you have all parts and hardware.
- Remove all wrapping materials, including staples and packing straps before you start to assemble.
- Don't tighten all screws/bolts until all the pieces are completely assembled.
- Keep all hardware parts out children's reach.
- It is recommended for 2 people to complete this assembly.



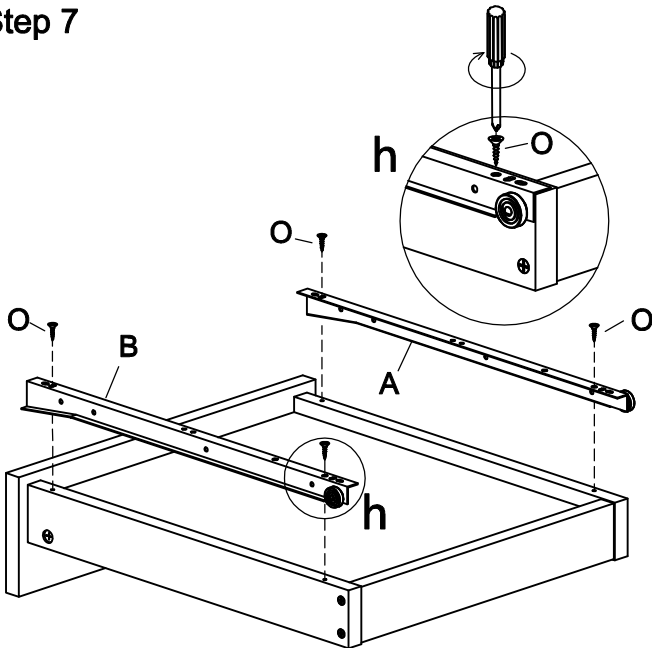
Step 5



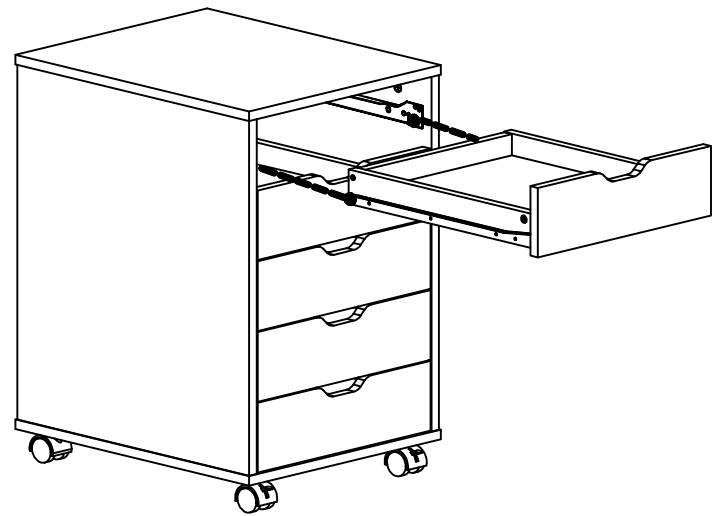
Step 6



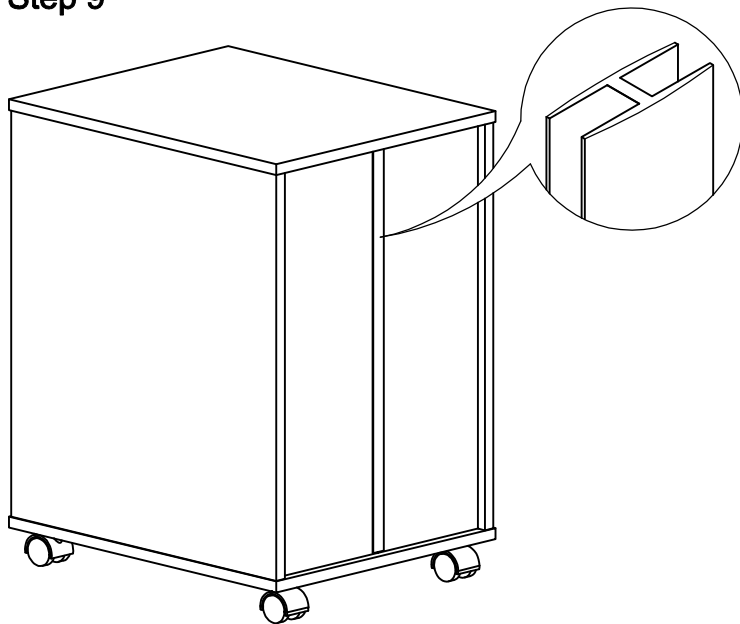
Step 7



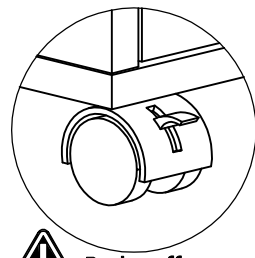
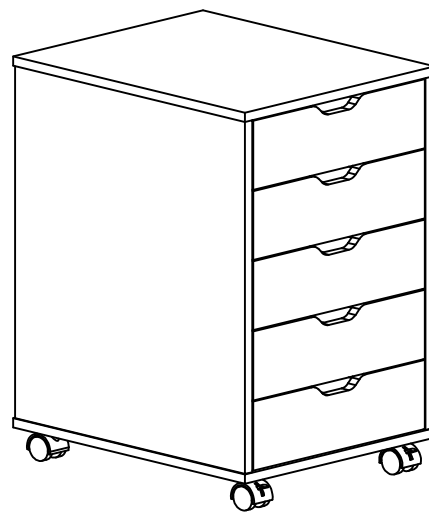
Step 8



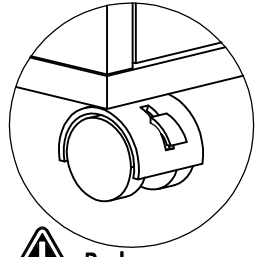
Step 9



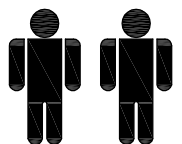
Step 10



**⚠ Brake off**  
(keep brake off  
when moving cabinet)



**⚠ Brake on**  
(do not move  
when brake on)



Two people are required to  
assemble and move this model.

**IMPORTANT NOTE:**

- Place all laminated parts on a clean and smooth surface such as a rug or carpet to avoid the parts from being scratched.
- Check to be sure that you have all parts and hardware.
- Remove all wrapping materials, including staples and packing straps before you start to assemble.
- Don't tighten all screws/bolts until all the pieces are completely assembled.
- Keep all hardware parts out children's reach.
- It is recommended for 2 people to complete this assembled.