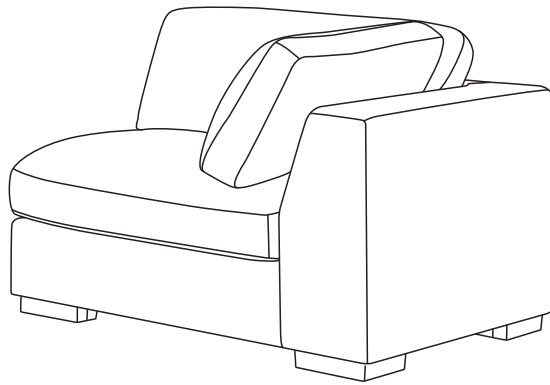

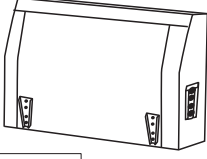
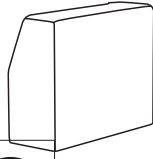

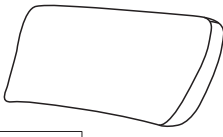
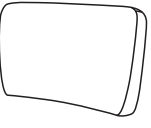


ASSEMBLY INSTRUCTION


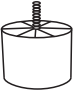



ITEM NO.: 2257



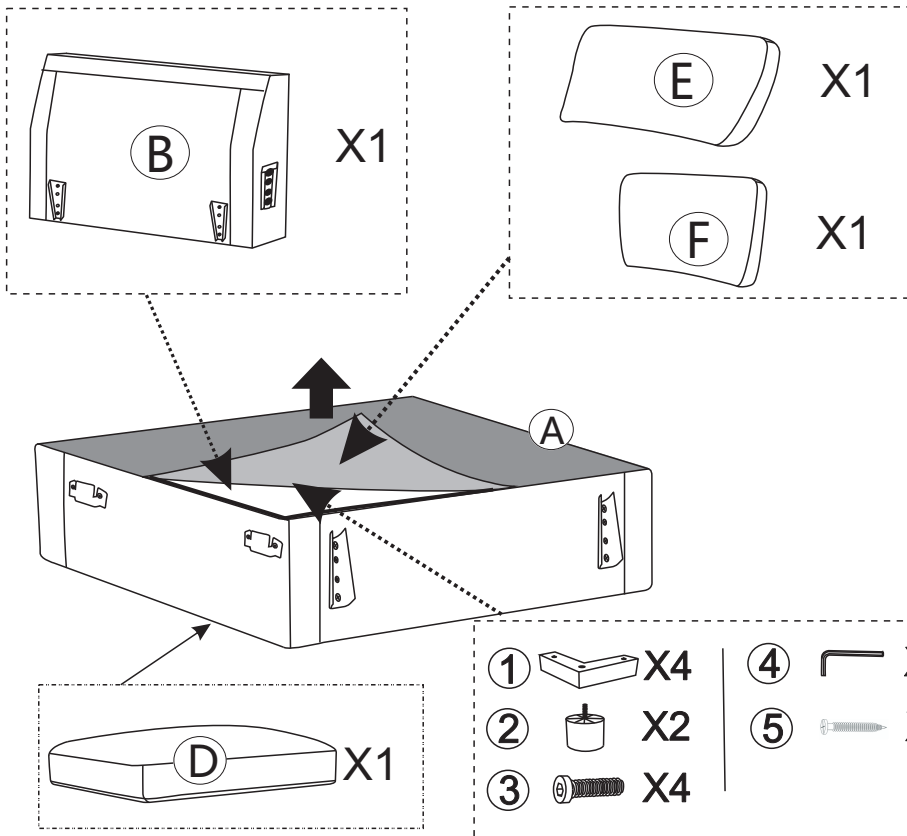
PARTS LIST

					
A	B	C	D	E	F
X1	X1	X1	X1	X1	X1

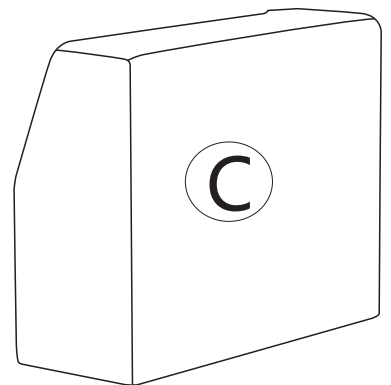
HARDWARE LIST

				
1	2	3	4	5
X4	X2	M8X60 X4	M5 X1	M5X50 X8

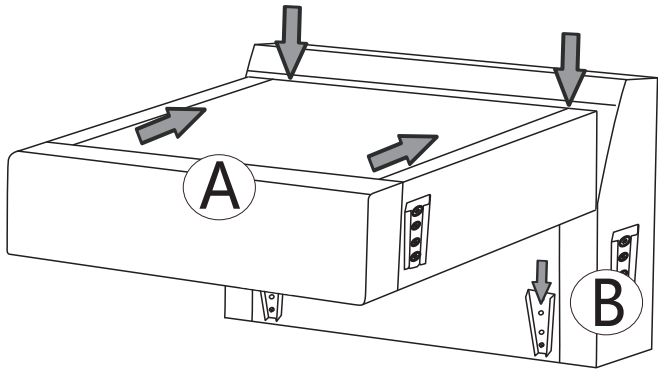
BOX-1



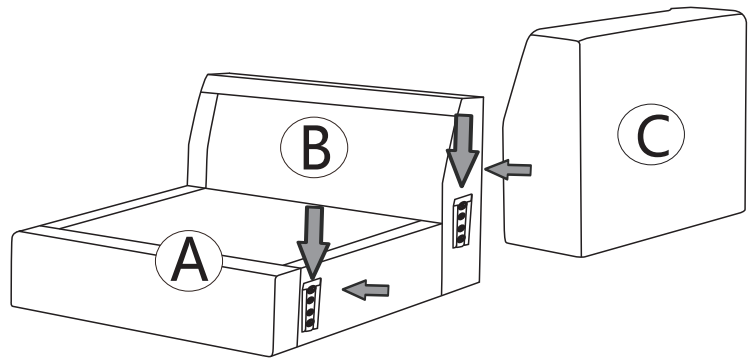
BOX-2



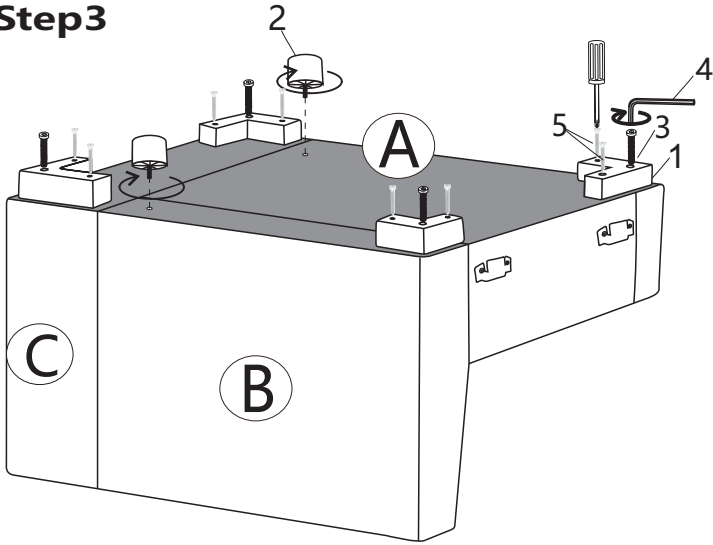
Step1



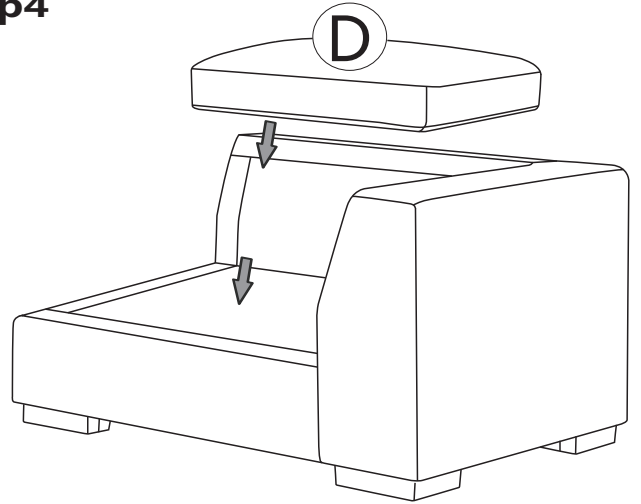
Step2



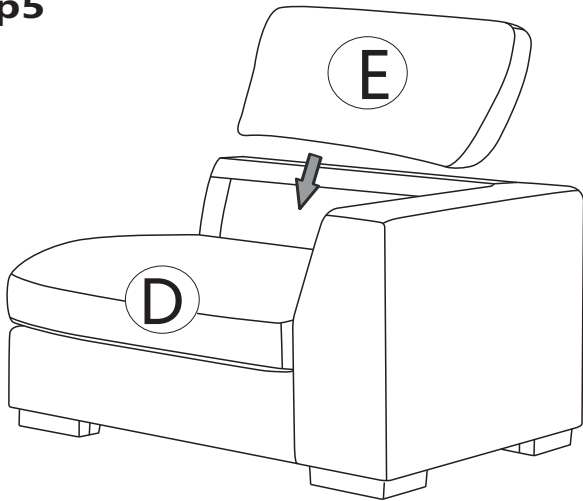
Step3



Step4



Step5



Step6

