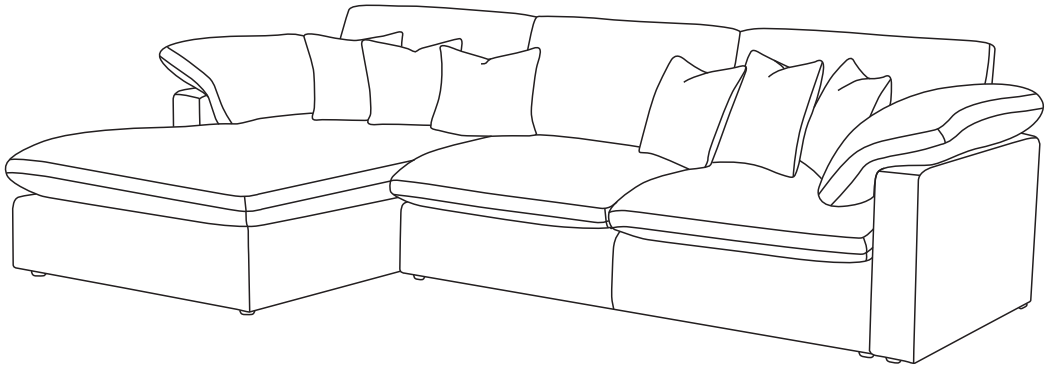


ASSEMBLY INSTRUCTION

ITEM NO.: 2273



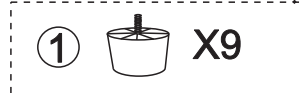
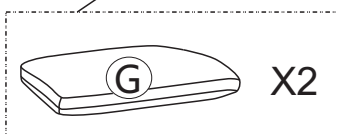
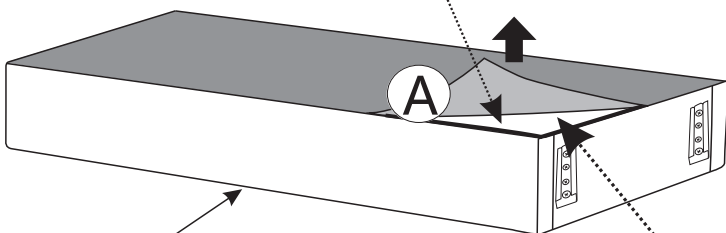
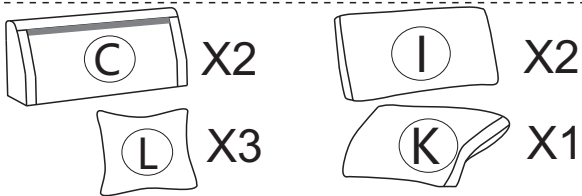
PARTS LIST

A X1	B X1	C X2	D X1	E X1	F X1
G X2	H X1	I X2	J X1	K X2	L X6

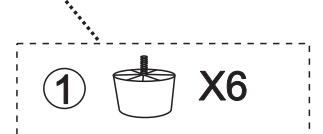
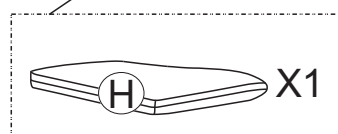
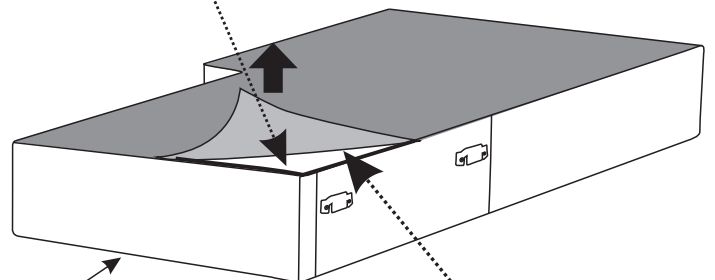
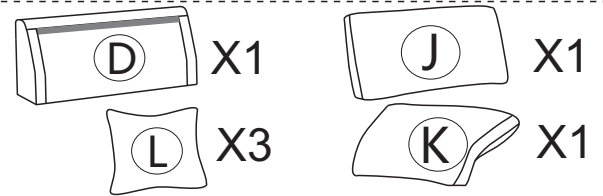
HARDWARE LIST

1 X15	

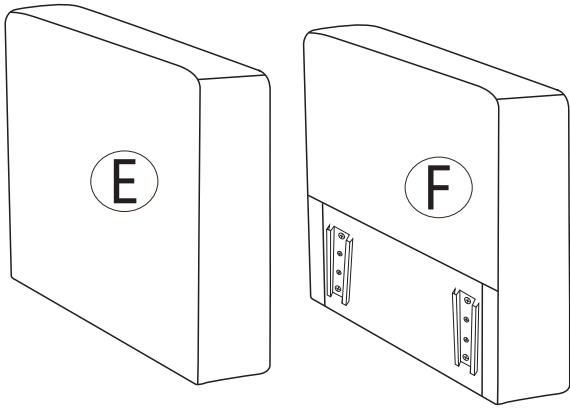
BOX-1



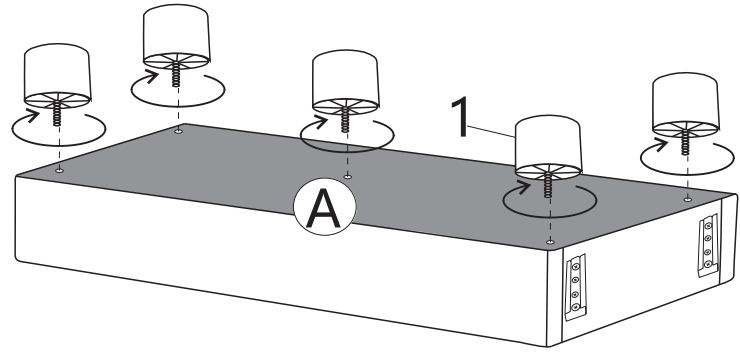
BOX-2



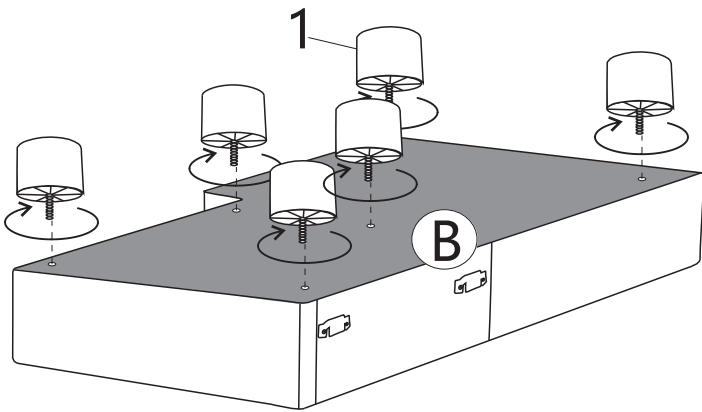
BOX-3



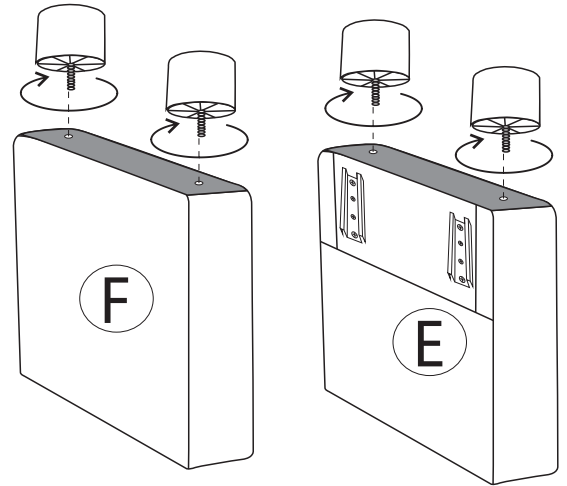
Step1



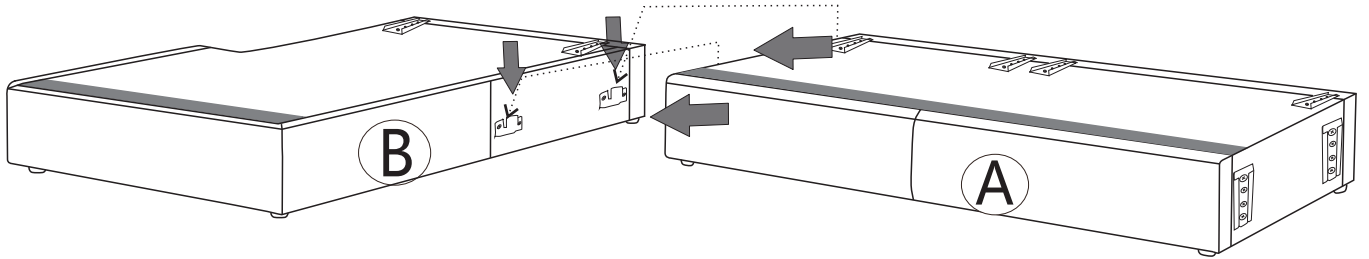
Step2



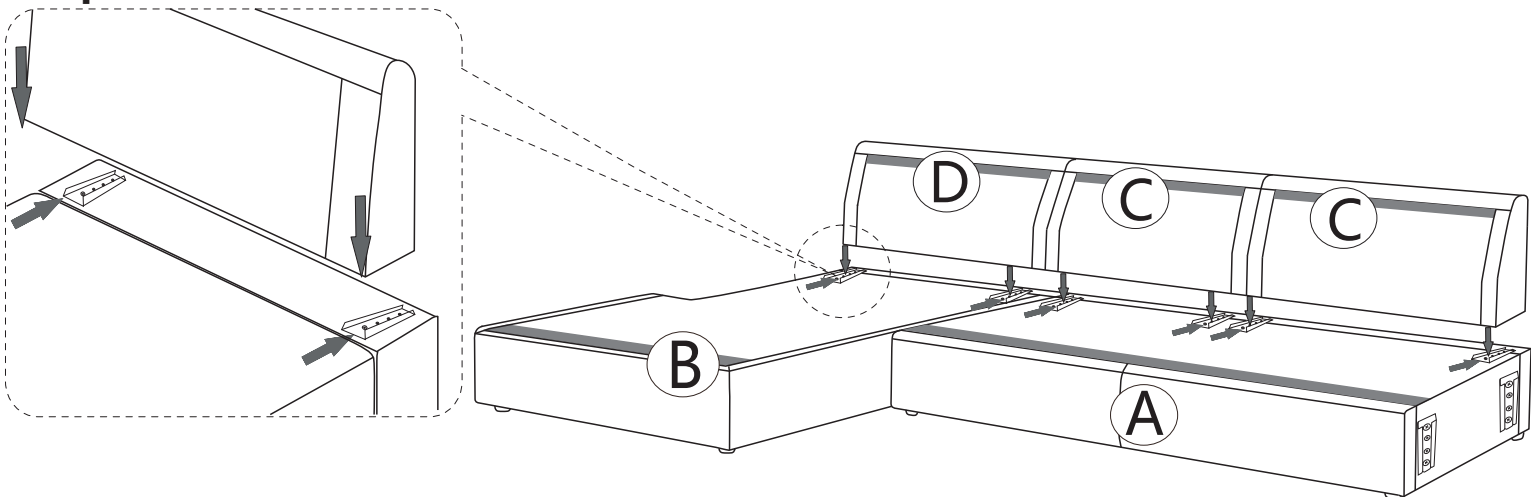
Step3



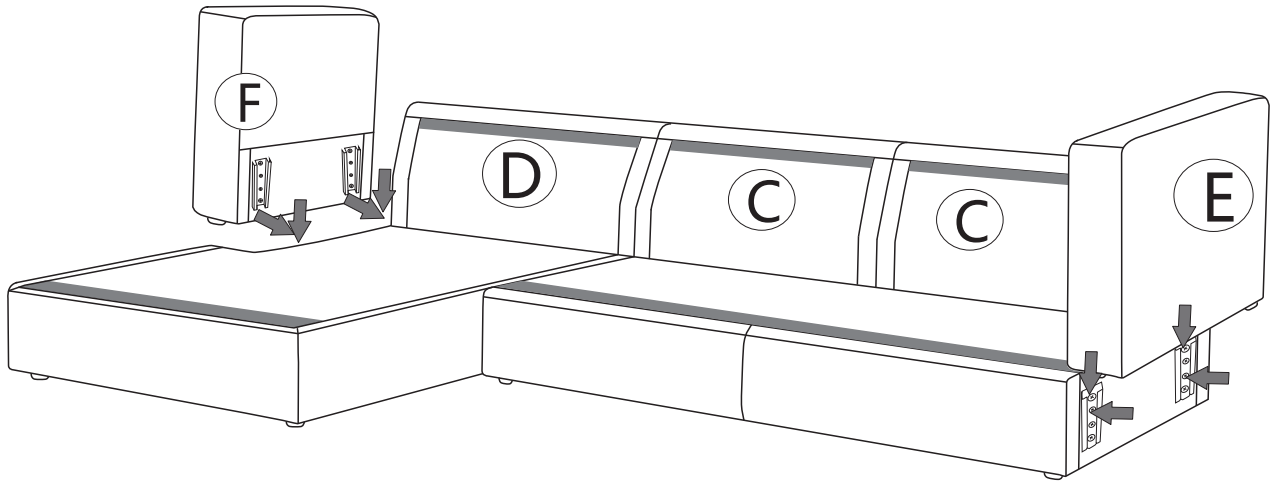
Step4



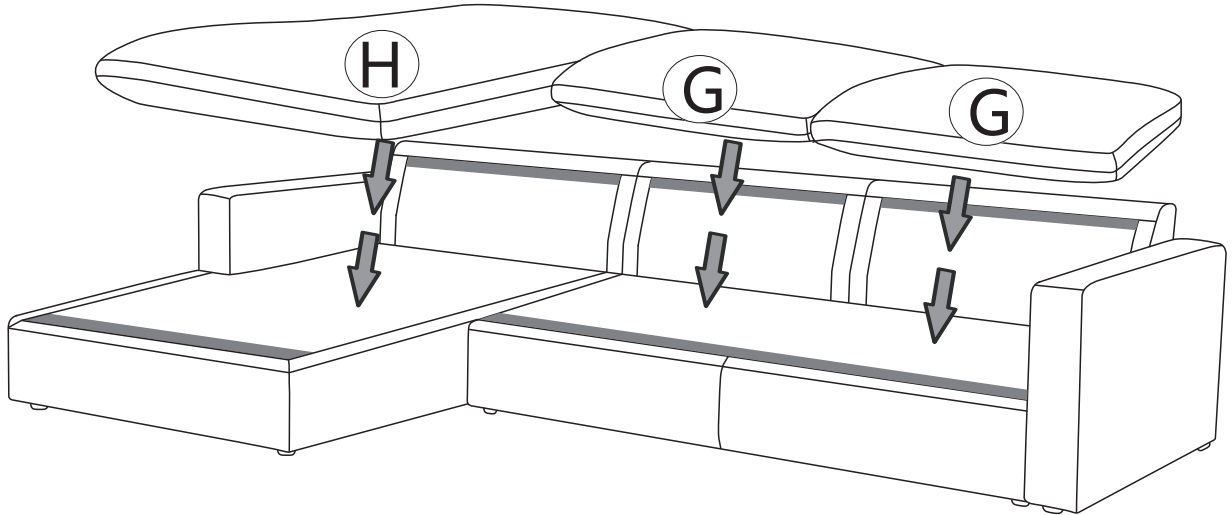
Step5



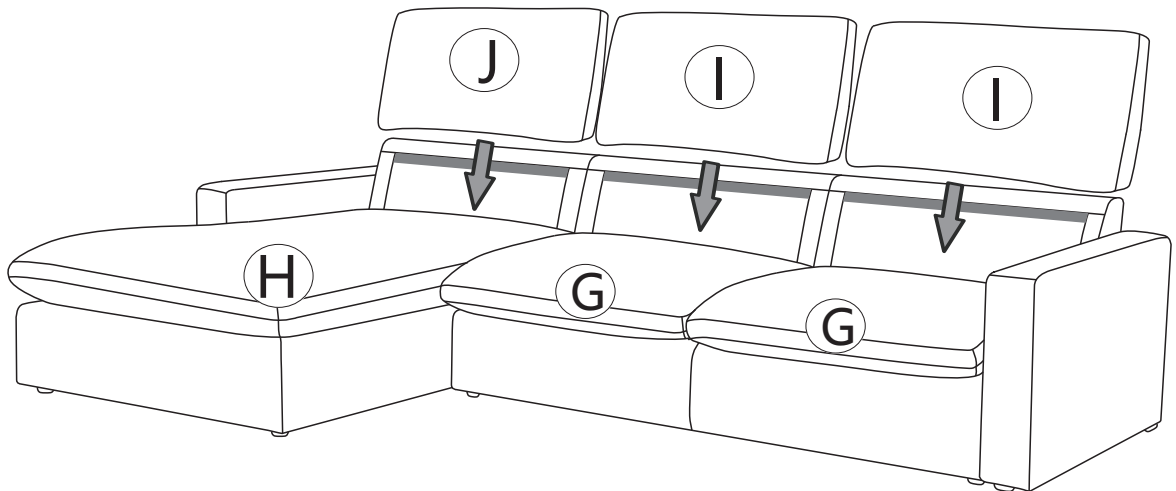
Step6



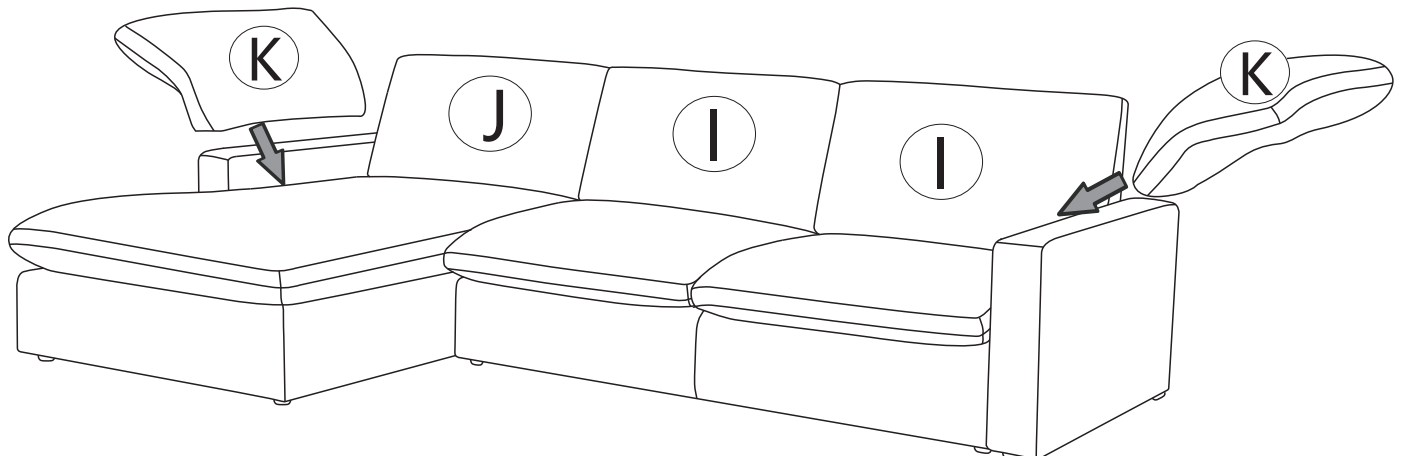
Step7



Step8



Step9



Step 10

