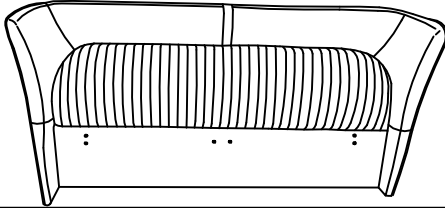
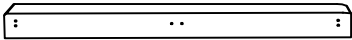


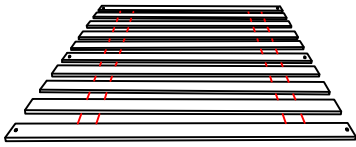

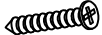
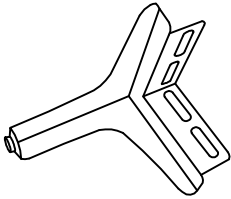
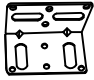

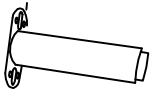
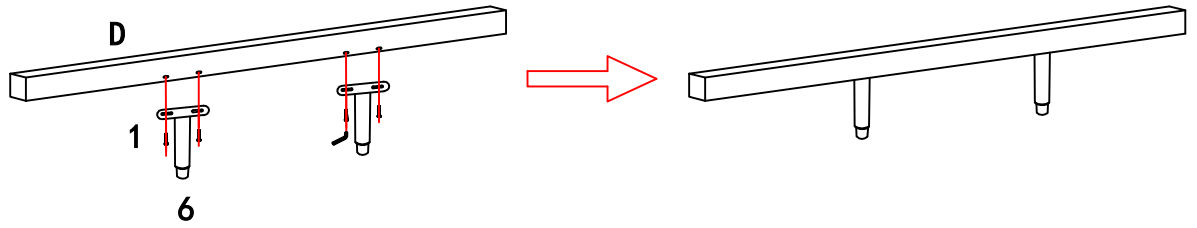


## Assembly Instruction

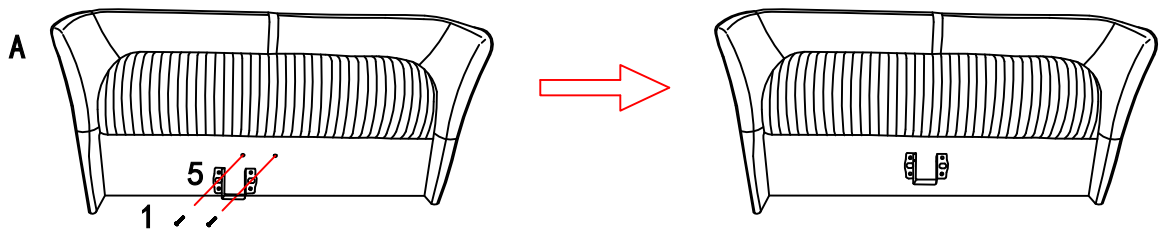
Number	Parts Identification		Q'ty
A		Headboard	1
B		Footboard	1
C		Side Rail	2
D		Middle Slat	1
E		Slat	1

Number	Hardware List		Q'ty
1		Big Screw	40
2		Small Screw	8
3		Footboard & Side Rail Support	4
4		L-shaped angle Bracket	4
5		U-shaped angle Bracket	2
6		Adjustable support feet	2

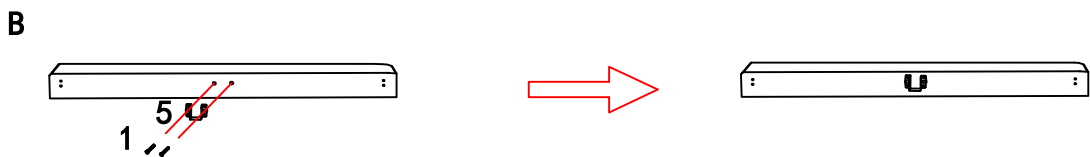
# Step1 :



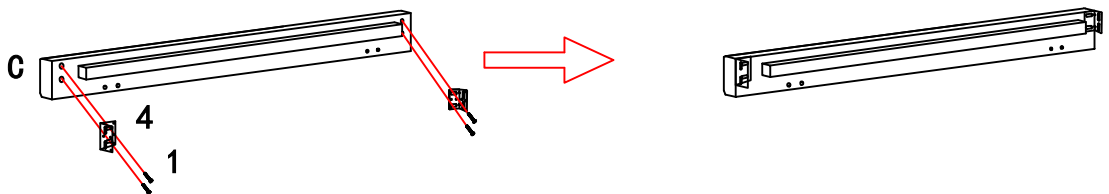
a: Use the Big Screw ① to secure the Adjustable support feet ⑥ to the Middle Slat \[D]



b: Use the Big Screw ① to secure the U-shaped angle Bracket ⑤ to the Headboard \[A] (Location as in Pic)

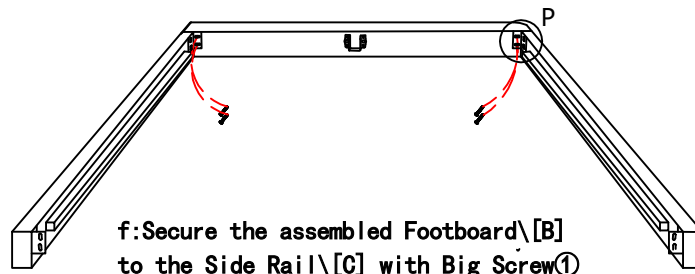


c: Use the Big Screw ① to secure the U-shaped angle Bracket ⑤ to the Footboard (Location as in Pic)

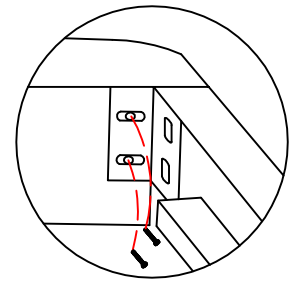


d: Use the Big Screw ① to secure the L-shaped angle Bracket ④ to the Side Rail \[C] (Location as in Pic) Note that the long upper and lower adjustable slots in the L-shaped angle Bracket ④ are reserved for mounting Big Screw ① to properly align the outboard and the \[B] and the side rail \[C]

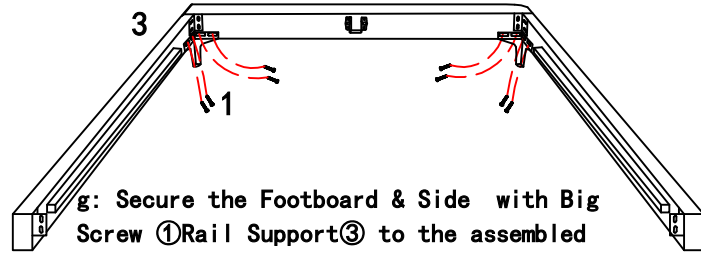
## Step2:



f: Secure the assembled Footboard \[B] to the Side Rail \[C] with Big Screw ①



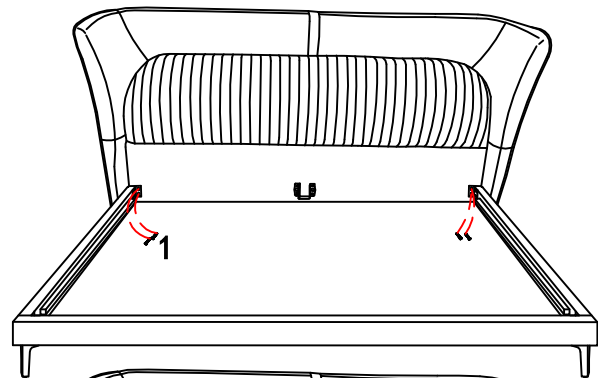
pay attention to the direction, the horizontally adjustable holes should be installed on the footer



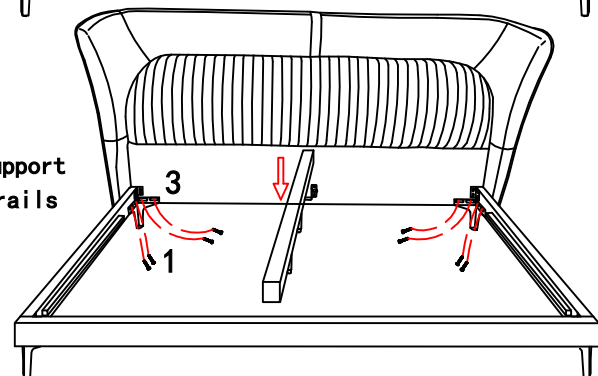
g: Secure the Footboard & Side with Big Screw ① Rail Support ③ to the assembled footboard \[B] and side rails \[C] with Big Screw ①.

## Step3:

h: Secure the Side Rail \[C] and Headboard \[A] with Big Screw ①.



i: 1. Secure the Footboard & Side Rail Support ③ to the Headboard \[A] and side rails \[C] with Big Screw ①.  
2. Put the assembled Middle Slat \[D] into the U-shaped angle Bracket ⑤ and lock it with 2 Small Screws ②



## Step4:

h: Secure the Slat \[F] (bandage secured) with Small Screws ②.

